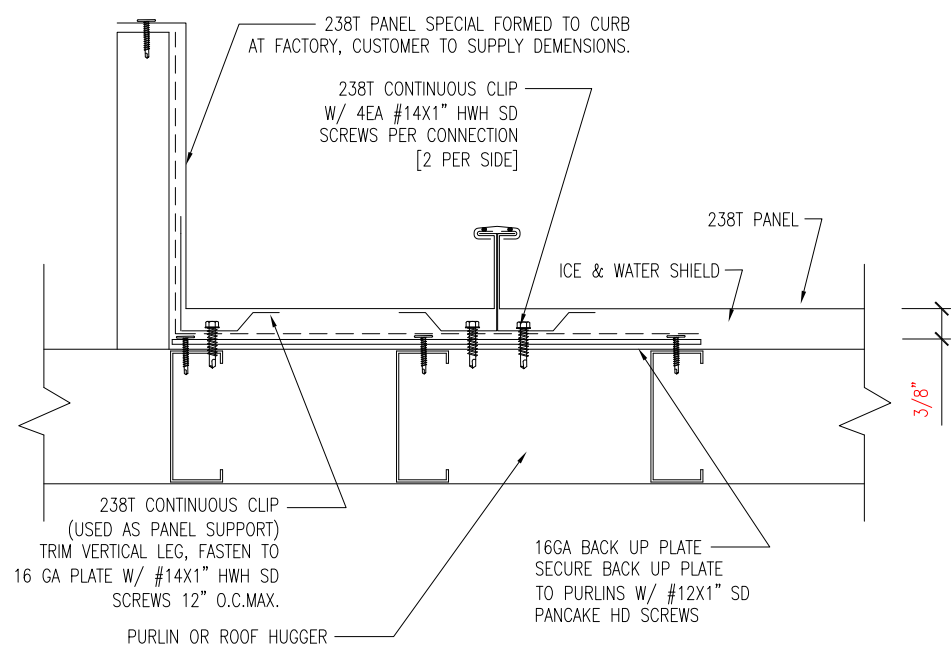
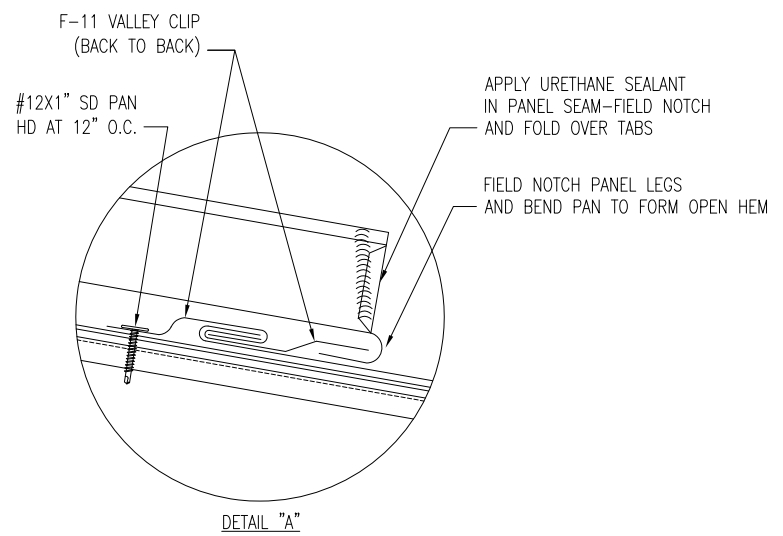


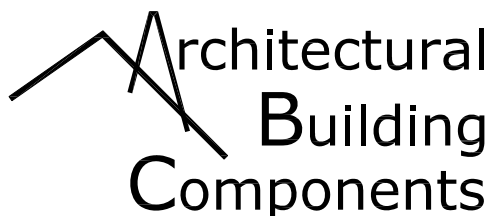
TYP CURB DETAIL SECTION B-B



TYP CURB DETAIL SECTION A-A



ALL DIMENSIONS, ANGLES, SECTIONS, DETAILS AND TRIM DIMENSIONS WILL BE VERIFIED IN WRITING, BY THE GENERAL CONTRACTOR OR INSTALLER PRIOR TO FABRICATION OF ROOF PANELS.



11625 N. HOUSTON ROSSLYN RD.
HOUSTON, TX. 77086
www.archmetalroof.com

(281) 931-3986
(800) 423-1105
FAX: (281) 931-3989

PANEL:



238T STANDING SEAM PANEL

DETAIL:

CURB DETAIL-OVER PURLINS

DATE:

04-01-09

DET. #

238T-CURB