

**Architectural
Building
Components**

11625 N. HOUSTON ROSSLYN RD.
HOUSTON, TX. 77086
www.archmetalroof.com

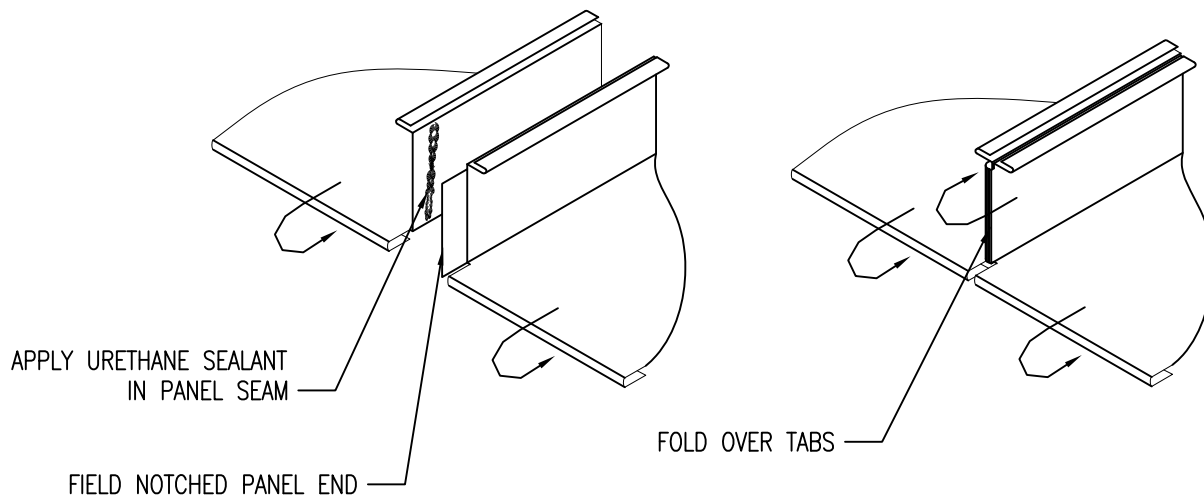
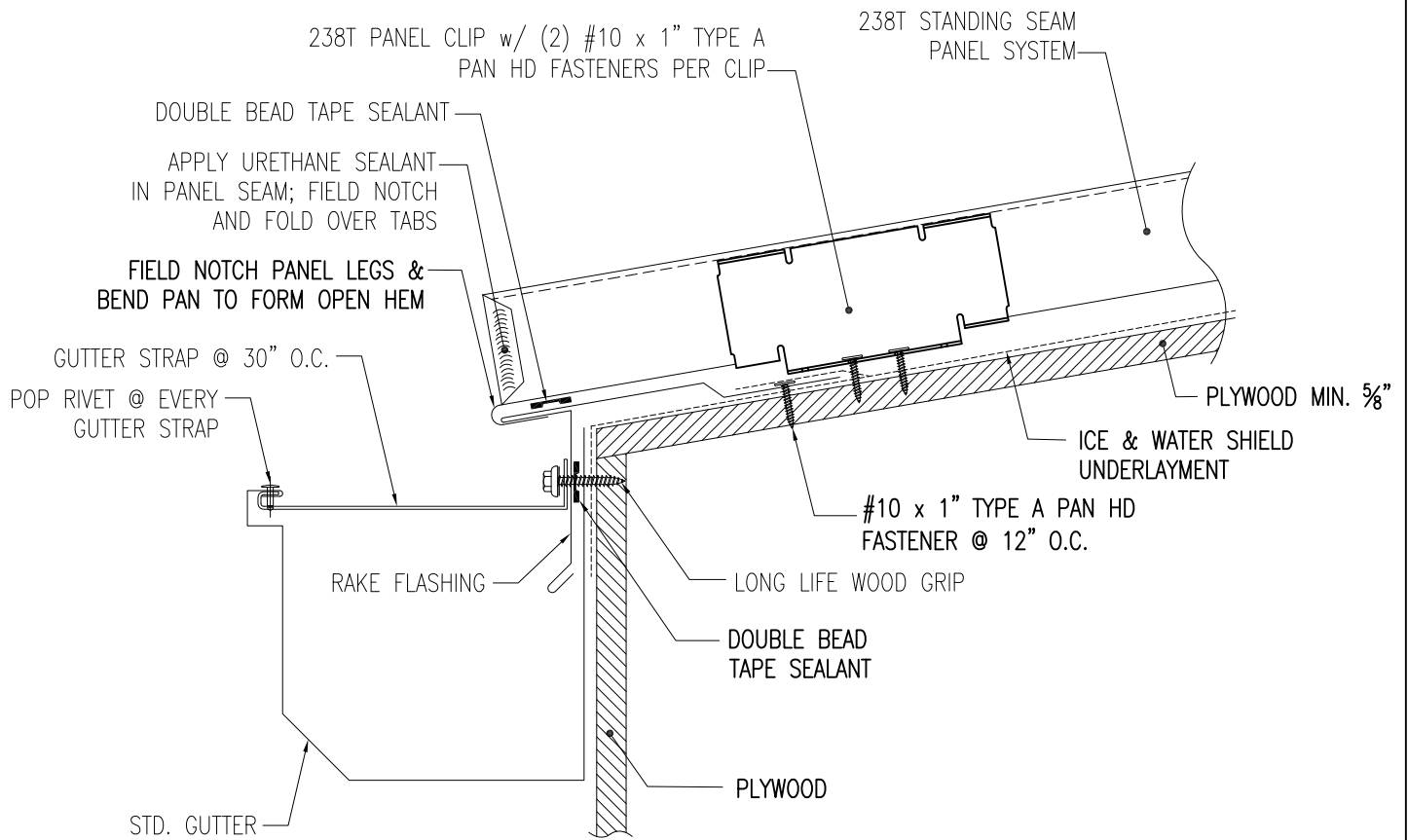
(281) 931-3986
(800) 423-1105
FAX: (281) 931-3989

PANEL: 
238T STANDING SEAM PANEL

DETAIL: EAVE-OVER 5/8" PLYWOOD DECKING

DATE:
05-13-09

DET.#



**Architectural
Building
Components**

11625 N. HOUSTON ROSSLYN RD.
HOUSTON, TX. 77086
www.archmetalroof.com

(281) 931-3986
(800) 423-1105
FAX: (281) 931-3989

PANEL:



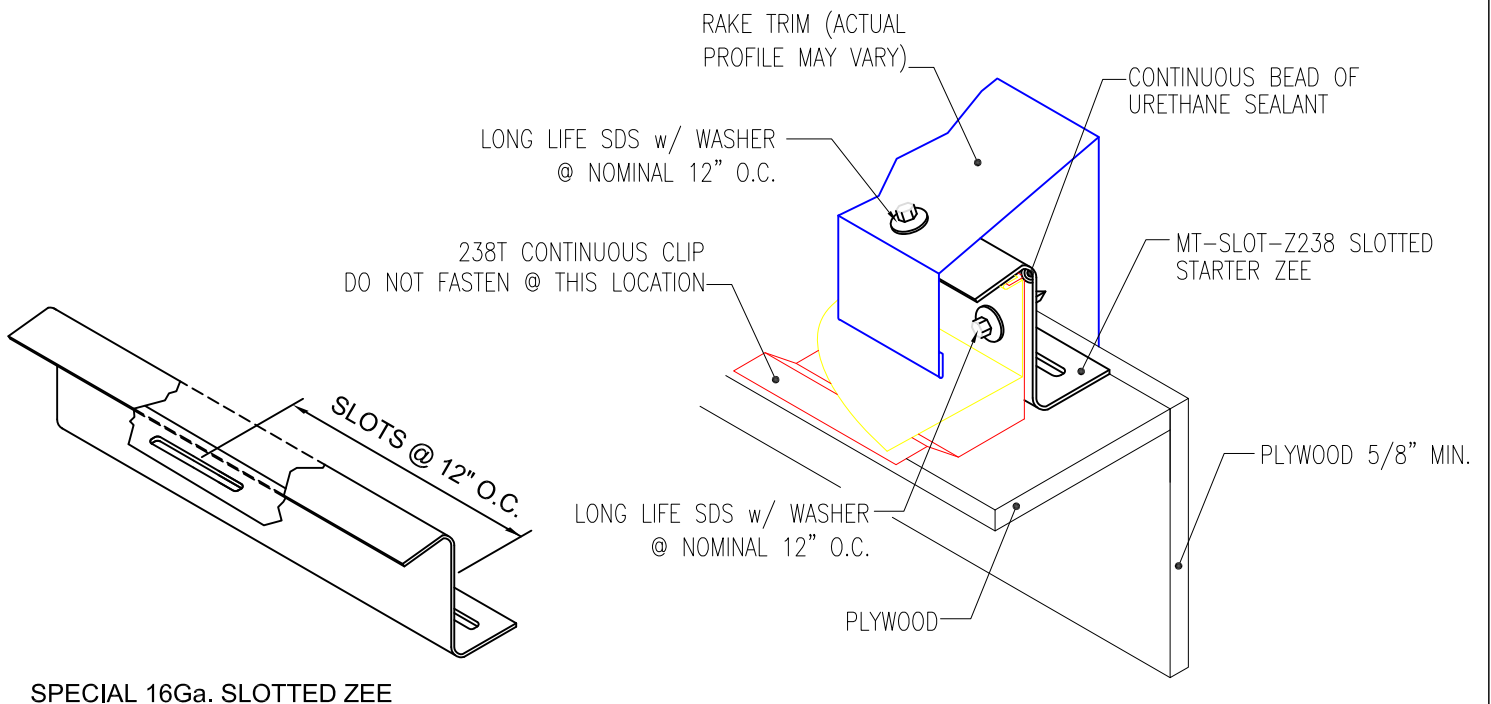
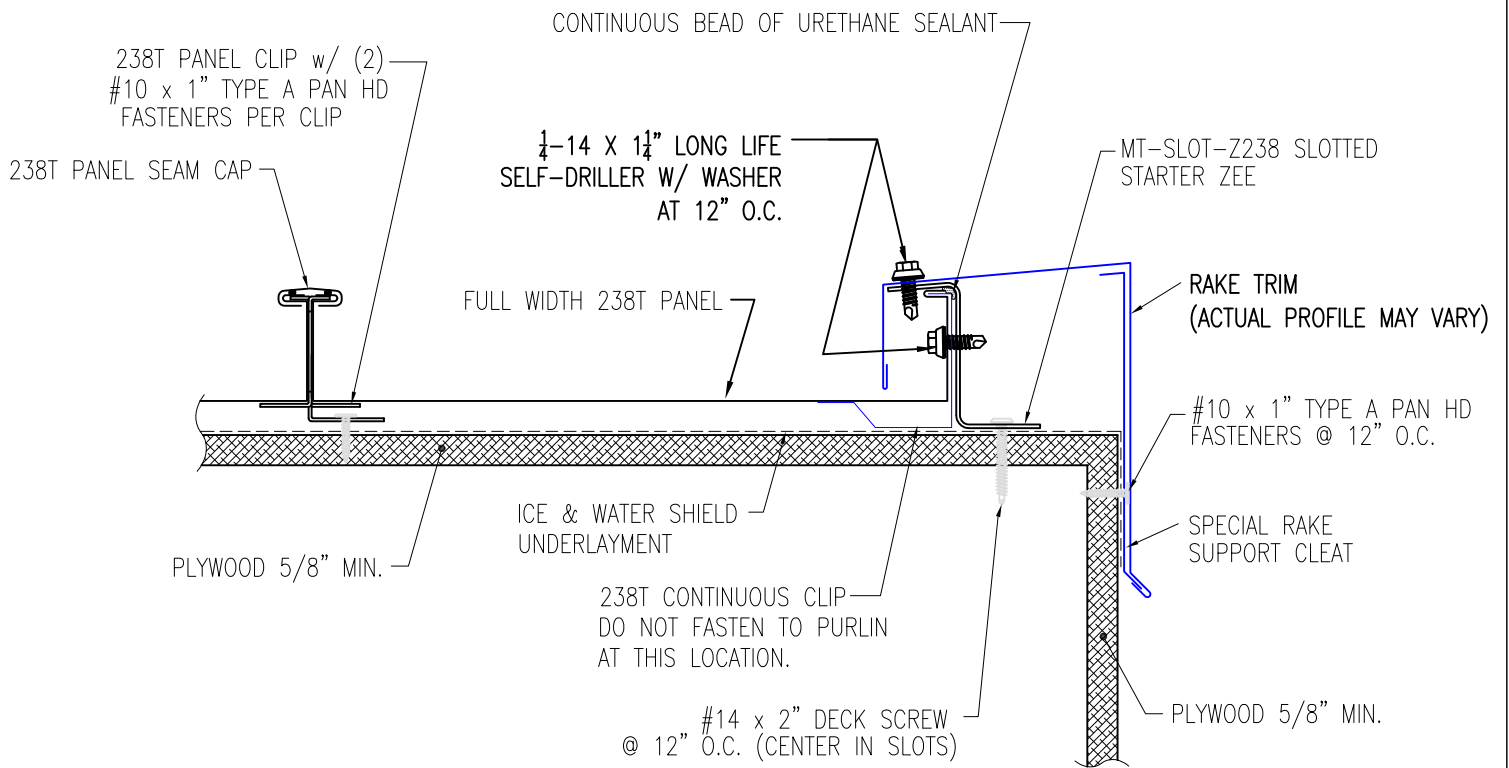
238T STANDING SEAM PANEL

DETAIL:

EAVE-OVER 5/8" PLYWOOD DECK W/GUTTER

DATE:
05-13-09

DET.#



**Architectural
Building
Components**

11625 N. HOUSTON ROSSLYN RD.
HOUSTON, TX. 77086
www.archmetalroof.com

(281) 931-3986
(800) 423-1105
FAX: (281) 931-3989

PANEL:

238T STANDING SEAM PANEL

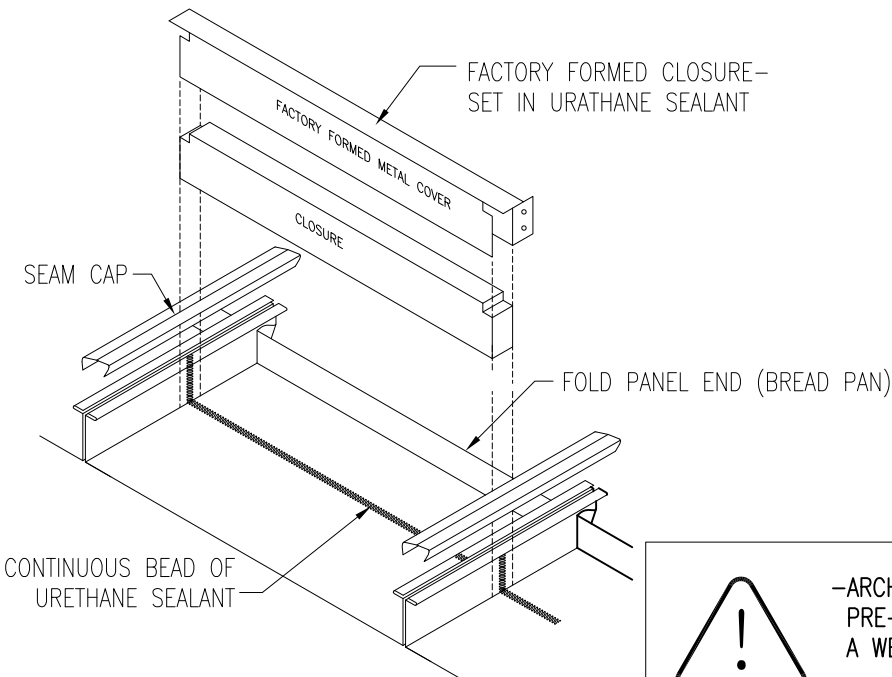
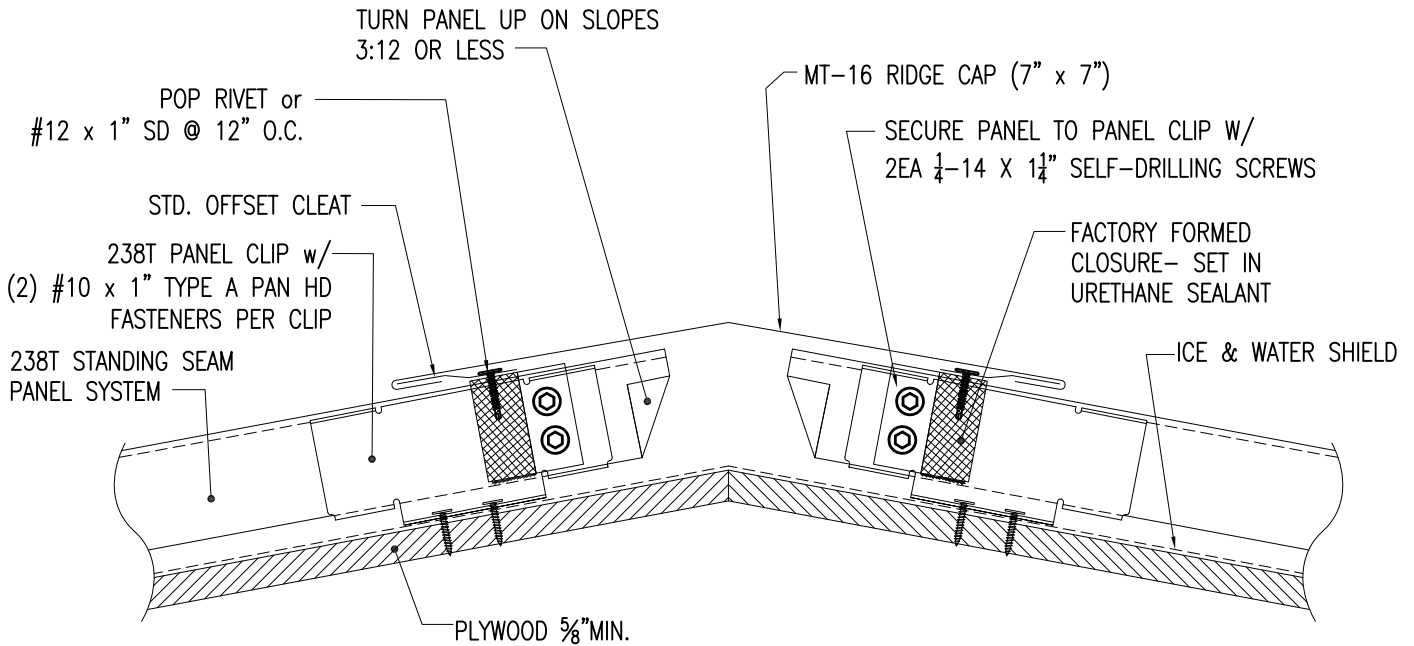
DETAIL:

FLOATING RAKE-OVER 5/8" PLYWOOD

DATE:

05-13-09

DET. #



-ARCHITECTURAL BUILDING COMPONENTS MUST FURNISH
PRE-FORMED CLOSURES ON ALL PROJECTS INVOLVING
A WEATHER-TIGHTNESS WARRANTY

**Architectural
Building
Components**

11625 N. HOUSTON ROSSLYN RD.
HOUSTON, TX. 77086
www.archmetalroof.com

(281) 931-3986
(800) 423-1105
FAX: (281) 931-3989

PANEL:



238T STANDING SEAM PANEL

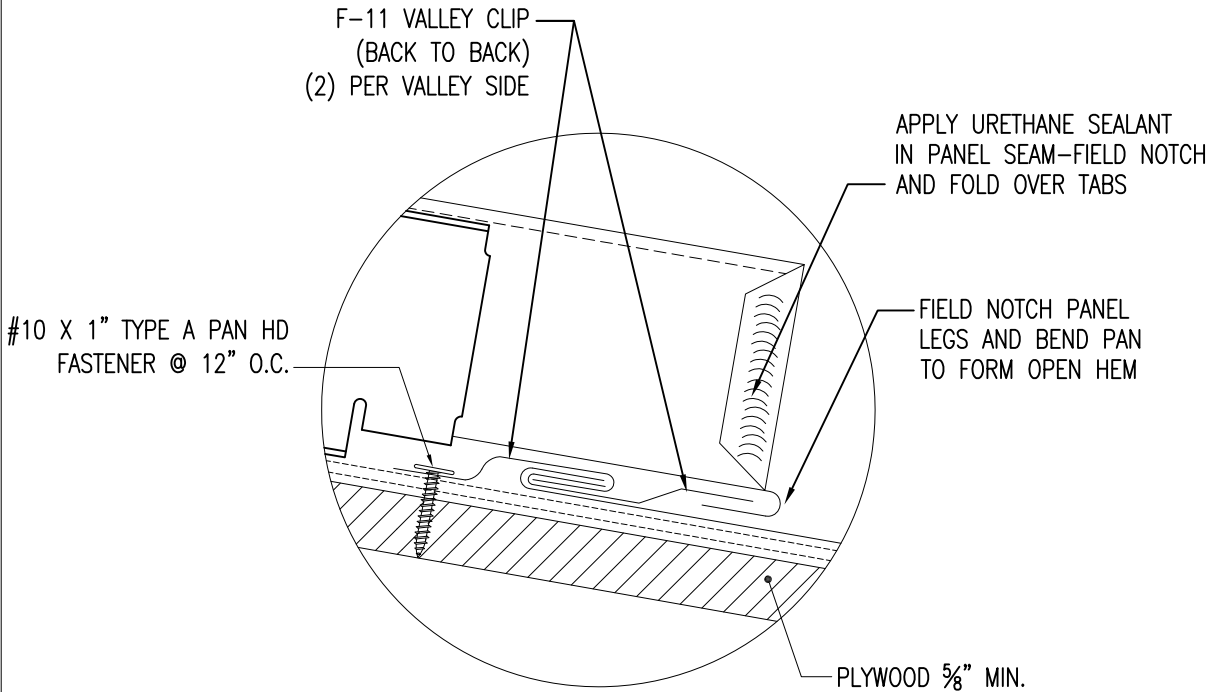
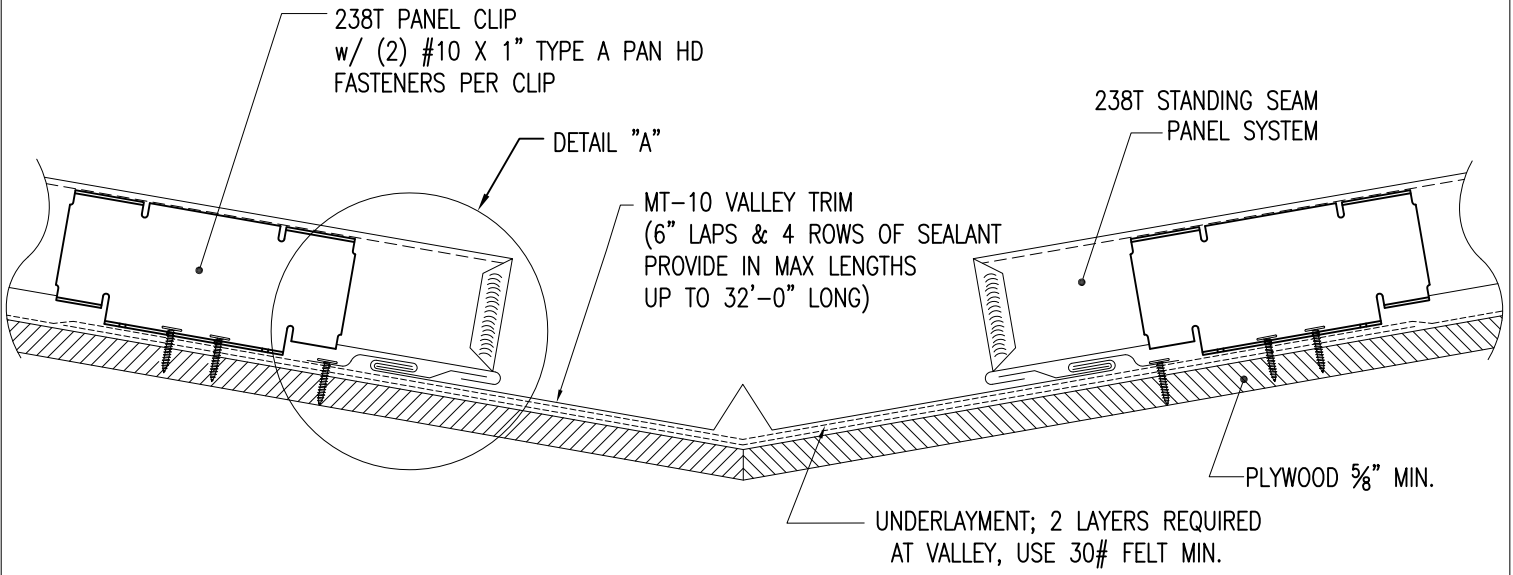
DETAIL:

FIXED RIDGE-OVER ISO/METAL DECK

DATE:

05-13-09

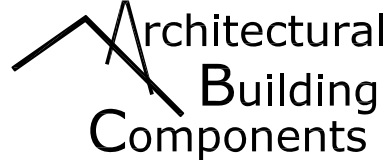
DET.#



DETAIL "A"



-DO NOT USE THIS DETAIL ON SLOPES LESS THAN 2:12
 -ARCHITECTURAL BUILDING COMPONENTS MUST FURNISH F-10 VALLEY TRIM (IN MAX LENGTHS) AND BACK UP PLATES ON ALL PROJECTS INVOLVING A WEATHER-TIGHTNESS WARRANTY



11625 N. HOUSTON ROSSLYN RD.
 HOUSTON, TX. 77086
 www.archmetalroof.com

(281) 931-3986
 (800) 423-1105
 FAX: (281) 931-3989

PANEL: 
 238T STANDING SEAM PANEL

DETAIL: STANDARD VALLEY-OVER 5/8" PLYWOOD DECK

DATE:
 05-14-09

DET.#