

**Architectural
Building
Components**

11625 N. HOUSTON ROSSLYN RD.
HOUSTON, TX. 77086
www.archmetalroof.com

(281) 931-3986
(800) 423-1105
FAX: (281) 931-3989

PANEL:



238T STANDING SEAM PANEL

DATE:
05-12-09

DET.#

DETAIL:

TYP. ASSEMBLY OVER ISO/METAL DECK

238T STANDING SEAM PANEL

DOUBLE BEAD TAPE SEALANT

APPLY URETHANE SEALANT
IN PANEL SEAM-FIELD NOTCH
AND FOLD OVER TABS

FIELD NOTCH PANEL LEGS &
BEND PAN TO FORM OPEN HEM

F-29 EAVE TRIM

16GA GUTTER
STRAP

GUTTER

LONG LIFE FASTENER
W/ WASHER

WOOD BLOCKING
BY OTHERS

#10X1" TYPE-A PAN HD AT 3" O.C.

238T PANEL CLIP W/ 2EA
#10X1" TYPE-A PANCAKE HD
SCREWS PER CLIP

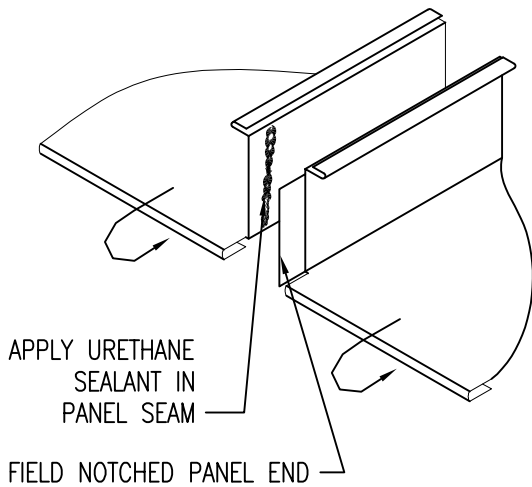
ICE & WATER SHIELD
UNDERLAYMENT

MIN. 22GA
STEEL DECK

RIGID INSULATION

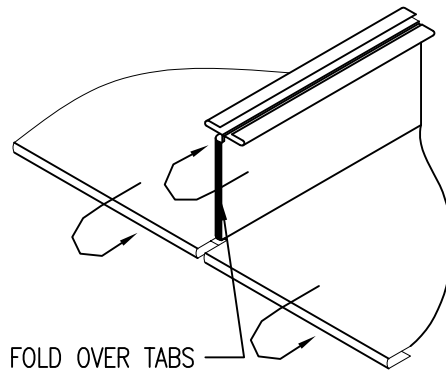


-DO NOT USE THIS DETAIL ON SLOPES LESS THAN 2:12

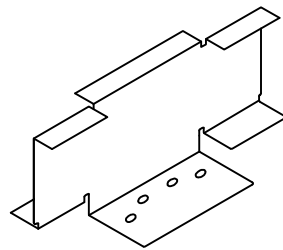


APPLY URETHANE
SEALANT IN
PANEL SEAM

FIELD NOTCHED PANEL END



FOLD OVER TABS

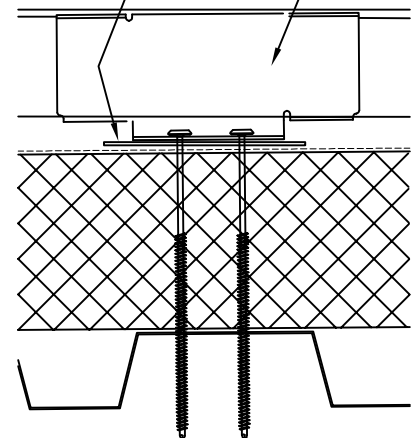


STANDARD CLIP

2EA #10 X 1" TYPE A PAN HD SCREWS

238T PANEL CLIP W/ 2EA
#14 X ___" DECK SCREWS
PER CLIP

BEARING PLATE



NOTE; CLIP FASTENERS MUST FULLY PENETRATE
THROUGH METAL DECK WHEN NOT OVER WOOD BLOCKING

**Architectural
Building
Components**

11625 N. HOUSTON ROSSLYN RD.
HOUSTON, TX. 77086
www.archmetalroof.com

(281) 931-3986
(800) 423-1105
FAX: (281) 931-3989

PANEL:

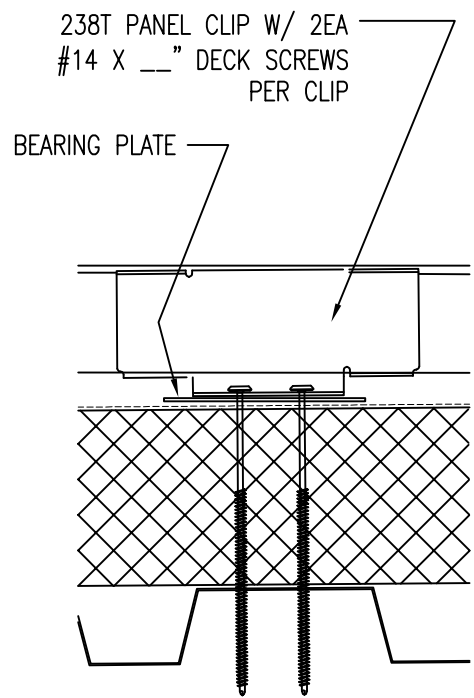
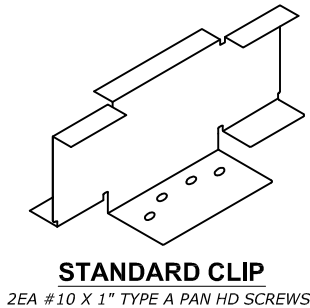
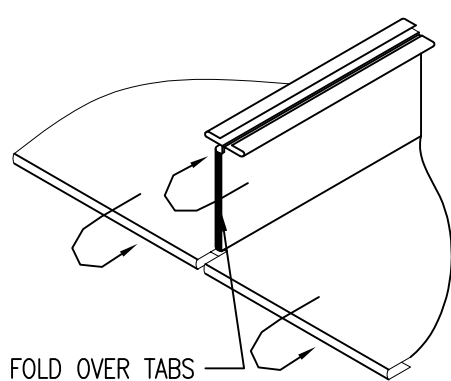
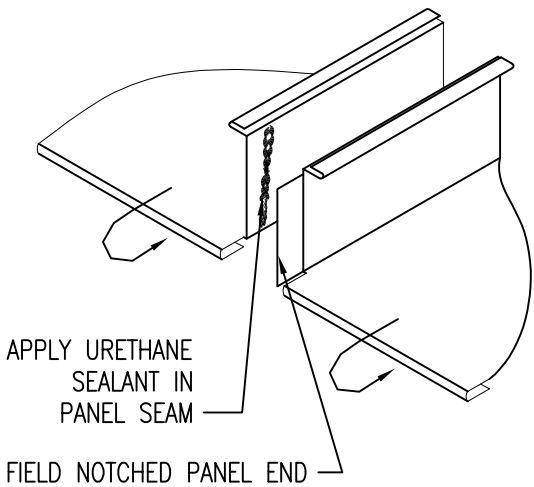
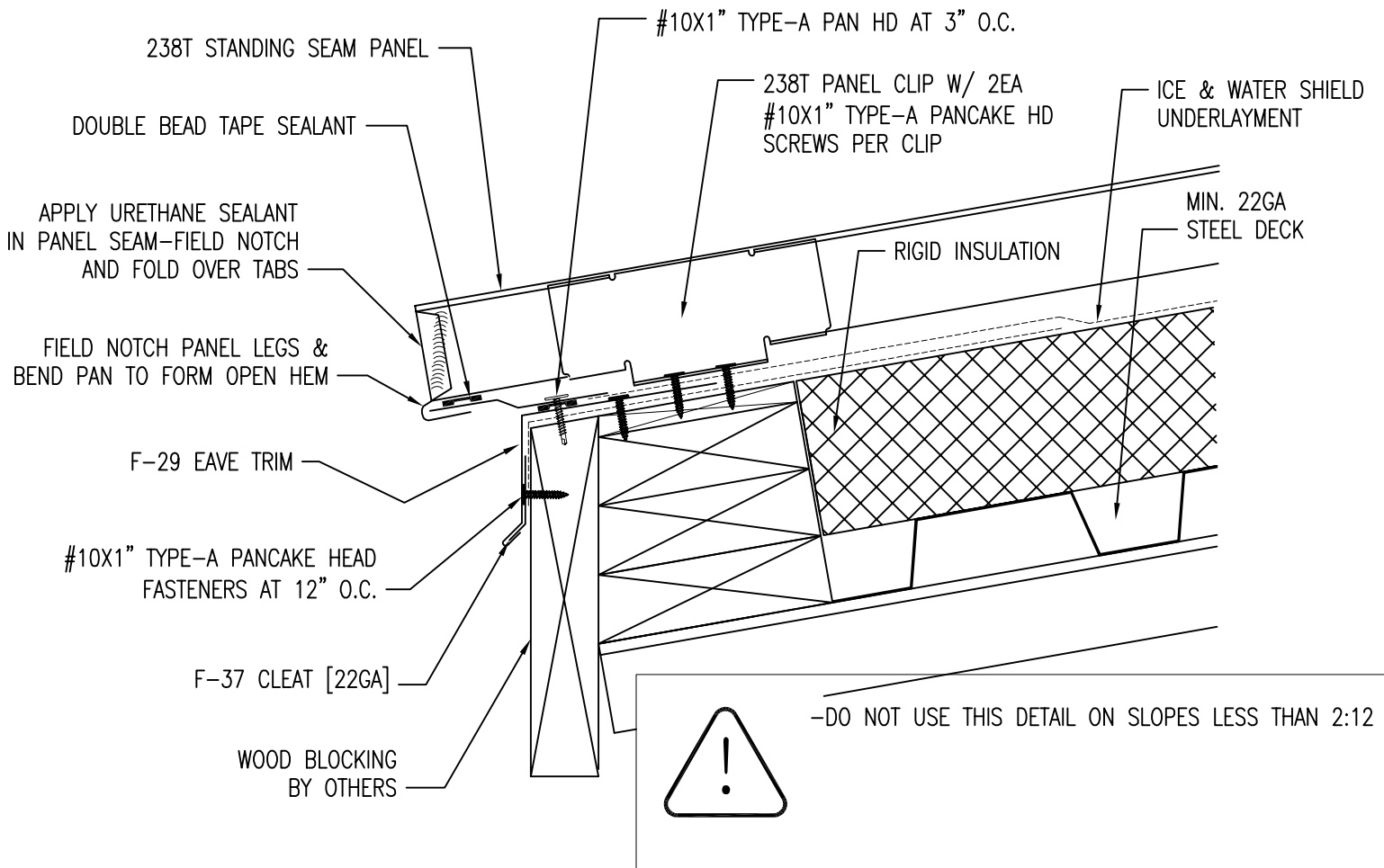


238T STANDING SEAM PANEL

DETAIL: FLOATING EAVE W/ GUTTER-OVER ISO/MTL DECK

DATE:
05-12-09

DET.#



NOTE; CLIP FASTENERS MUST FULLY PENETRATE THROUGH METAL DECK WHEN NOT OVER WOOD BLOCKING



11625 N. HOUSTON ROSSLYN RD.
HOUSTON, TX. 77086
www.archmetalroof.com

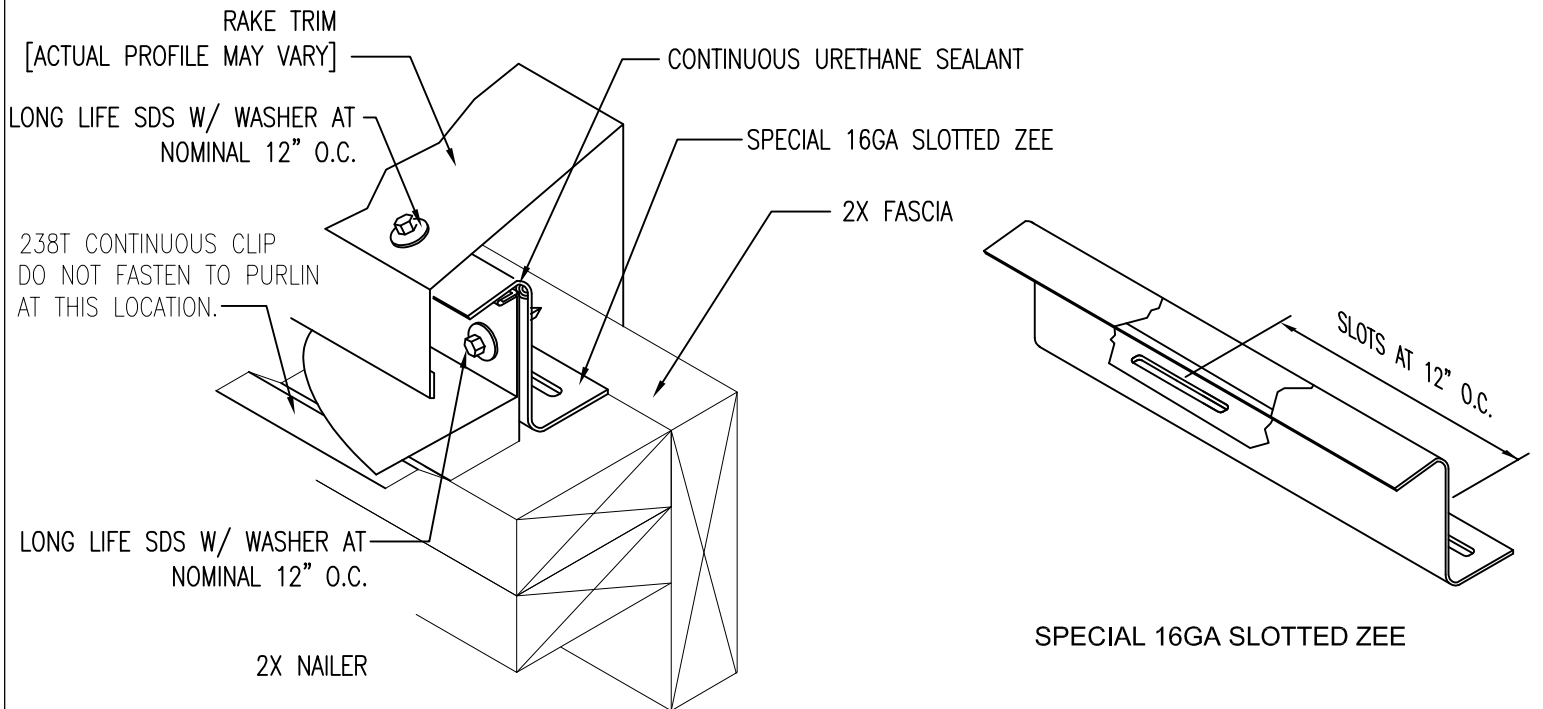
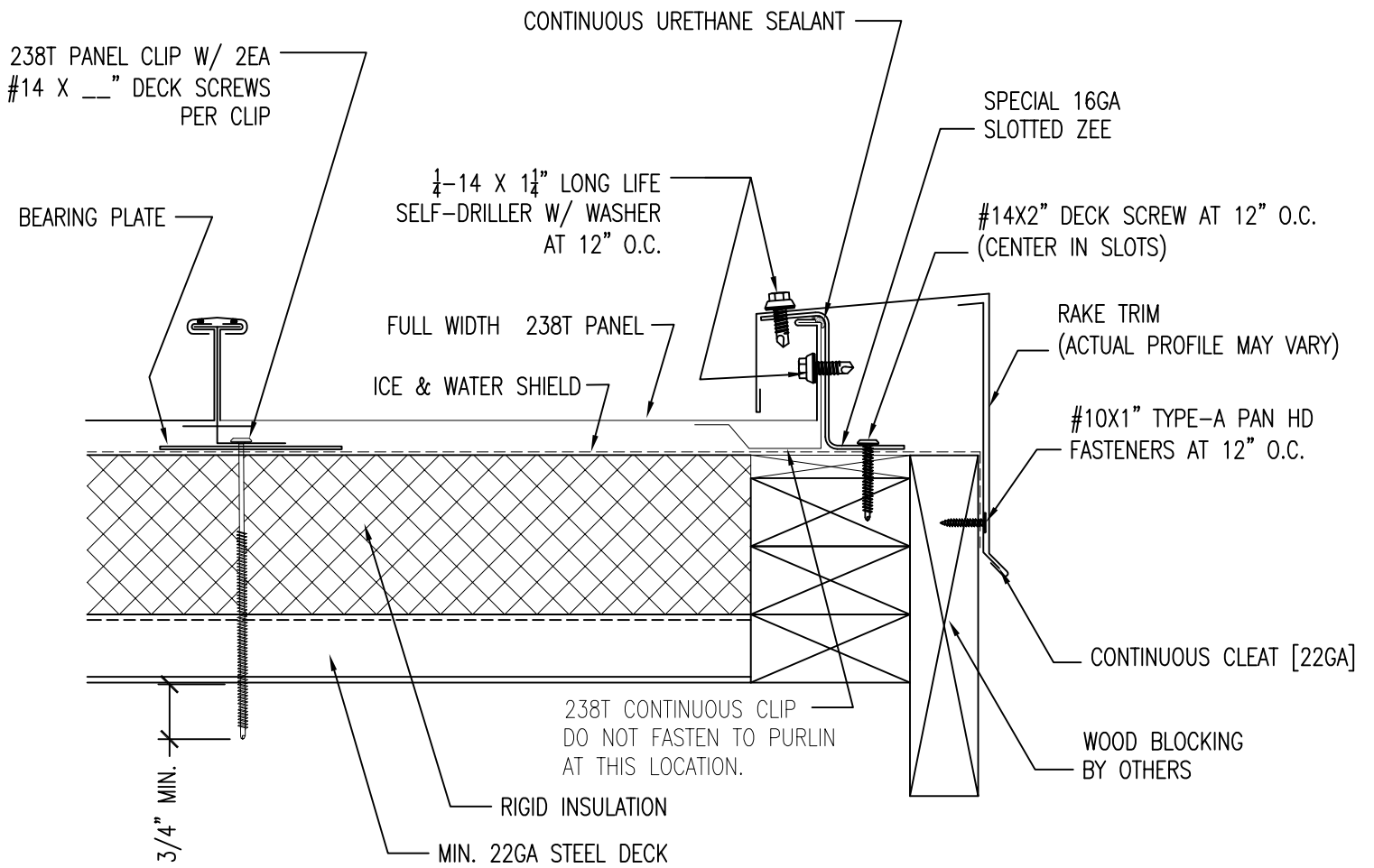
(281) 931-3986
(800) 423-1105
FAX: (281) 931-3989

PANEL: 
238T STANDING SEAM PANEL

DETAIL: FLOATING EAVE-OVER ISO/METAL DECK

DATE:
05-12-05

DET.#



**Architectural
Building
Components**

11625 N. HOUSTON ROSSLYN RD.
HOUSTON, TX. 77086
www.archmetalroof.com

(281) 931-3986
(800) 423-1105
FAX: (281) 931-3989

PANEL:



238T STANDING SEAM PANEL

DETAIL:

FLOATING RAKE-OVER SOLID DECK

DATE:

05-12-09

DET. #