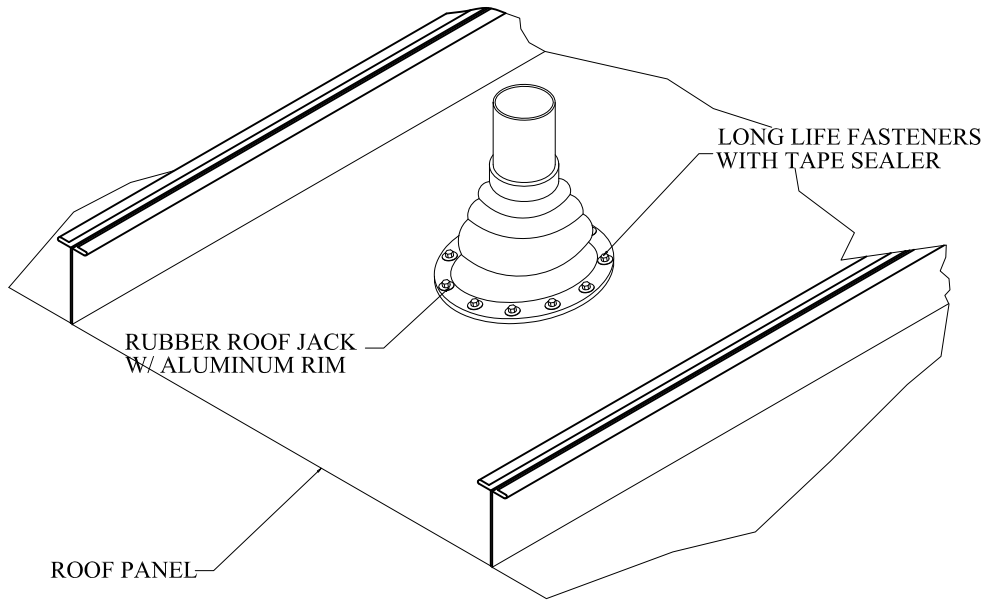


ALTERNATE PIPE DETAIL

@ STANDING SEAM



TYP PIPE PENETRATION

WITH EPDM RUBBER BOOT



11625 N. HOUSTON ROSSLYN RD.
HOUSTON, TX. 77086
www.archmetalroof.com

(281) 931-3986
(800) 423-1105
FAX: (281) 931-3989

PANEL:



238T STANDING SEAM PANEL

DETAIL:

PIPE PENETRATION

DATE:

05/05/09

DET. #

238 PP