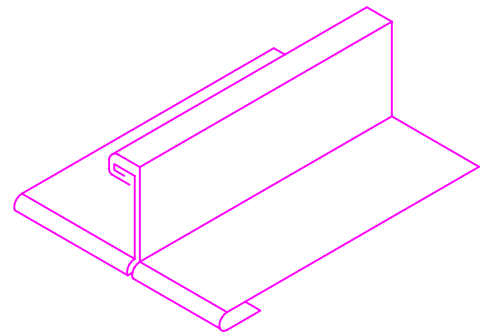


- ① JSM 300, MECHANICALLY FIELD SEAMED ROOF PANEL
- ② CONCEALED CLIP
- ③ EXTENDED EAVE TRIM
- ④ CONTINUOUS CLEAT



PANEL END AFTER FOLDING HEM

ARCHITECTURAL BUILDING COMPONENTS  
 11625 N. HOUSTON ROSSLYN RD.  
 HOUSTON, TX. 77086  
 (281) 931-3986 OR (800) 423-1105  
 FAX: (281) 931-3989  
 www.archmetalroof.com

DETAIL:  
 STANDARD EAVE

PANEL TYPE:  
 JSM ROOF SYSTEM

DATE:  
 10-10-02

DETAIL #:  
 J3-4