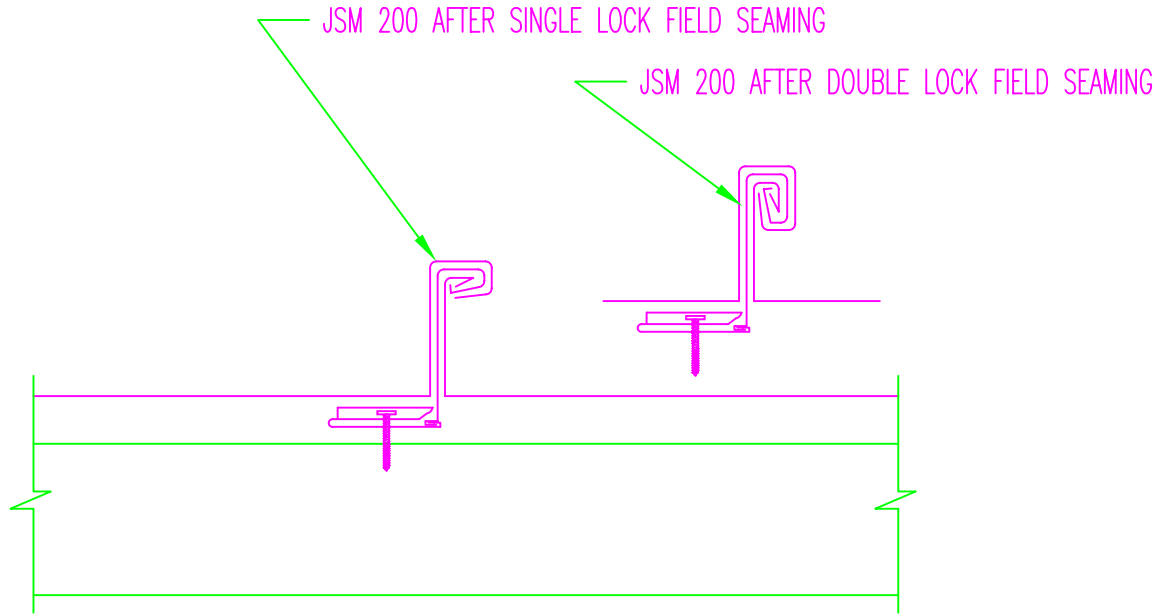


JSM 200 PANEL PROFILE



GENERAL NOTES:

1. JSM 200 IS A 2" TALL MECHANICALLY FIELD SEAMED PANEL.
2. MAXIMUM SPAN FOR 16" WIDE 24 GA. IS 5'-0" O.C.
3. CAN BE INSTALLED OVER OPEN FRAMING, RIGID INSULATION AND SOLID DECK.

INSTALLATION NOTES:

1. PLACE FIRST PANEL IN CORRECT POSITION, INSTALL CLIP OVER MALE LEG AND FASTEN THROUGH SUBSTRATE.
2. PLACE FEMALE LEG OF NEXT PANEL OVER MALE LEG, CONTINUE WITH STEP 1.
3. HAND TONG SEAM AT EACH CLIP.
4. USE ELECTRIC POWERED SEAMER TO CLOSE SEAM.

ARCHITECTURAL BUILDING COMPONENTS
 11625 N. HOUSTON ROSSLYN RD.
 HOUSTON, TX. 77086
 (281) 931-3986 OR (800) 423-1105
 FAX: (281) 931-3989
 www.archmetalroof.com

DETAIL:

JSM 200
 INTRODUCTION

PANEL TYPE:

JSM ROOF SYSTEM

DATE:

10-10-02

DETAIL #:

J2-INTRO