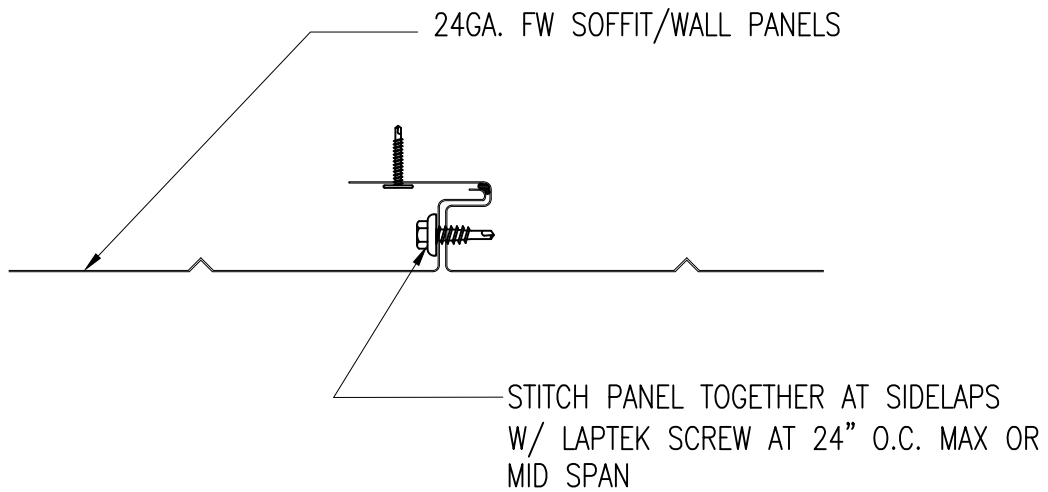
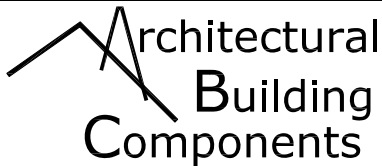


24GA. FW SOFFIT/WALL PANELS  
BEFORE INSTALLING STITCH SCREW



24GA. FW SOFFIT/WALL PANELS  
AFTER INSTALLING STITCH SCREW

ARCHITECTURAL BUILDING COMPONENTS RECOMMENDS THE USE OF VEE GROOVES IN THE FW WALL PANEL TO MINIMIZE THE APPEARANCE OF OIL CANNING THAT IS INHERENT WITH METAL PRODUCTS, NOTE OIL CANNING IS NOT A CAUSE FOR REJECTION OF PRODUCT.



11625 N. HOUSTON ROSSLYN RD.  
HOUSTON, TX. 77086  
www.archmetalroof.com

(281) 931-3986  
(800) 423-1105  
FAX: (281) 931-3989

DETAIL:  
STITCH SCREW MAY BE REQUIRED  
TO MEET WIND LOAD FOR YOUR PROJECT

FW SERIES SOFFIT/WALL PANEL

DATE:  
4-21-10

DET.#