

www.archmetalroof.com

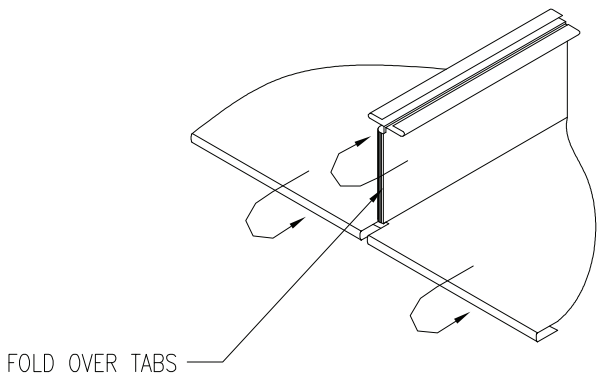
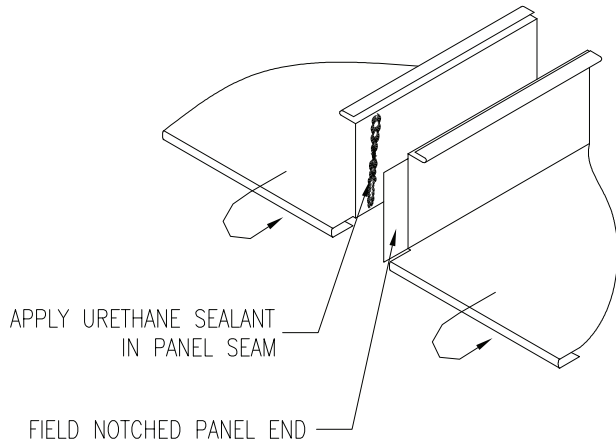
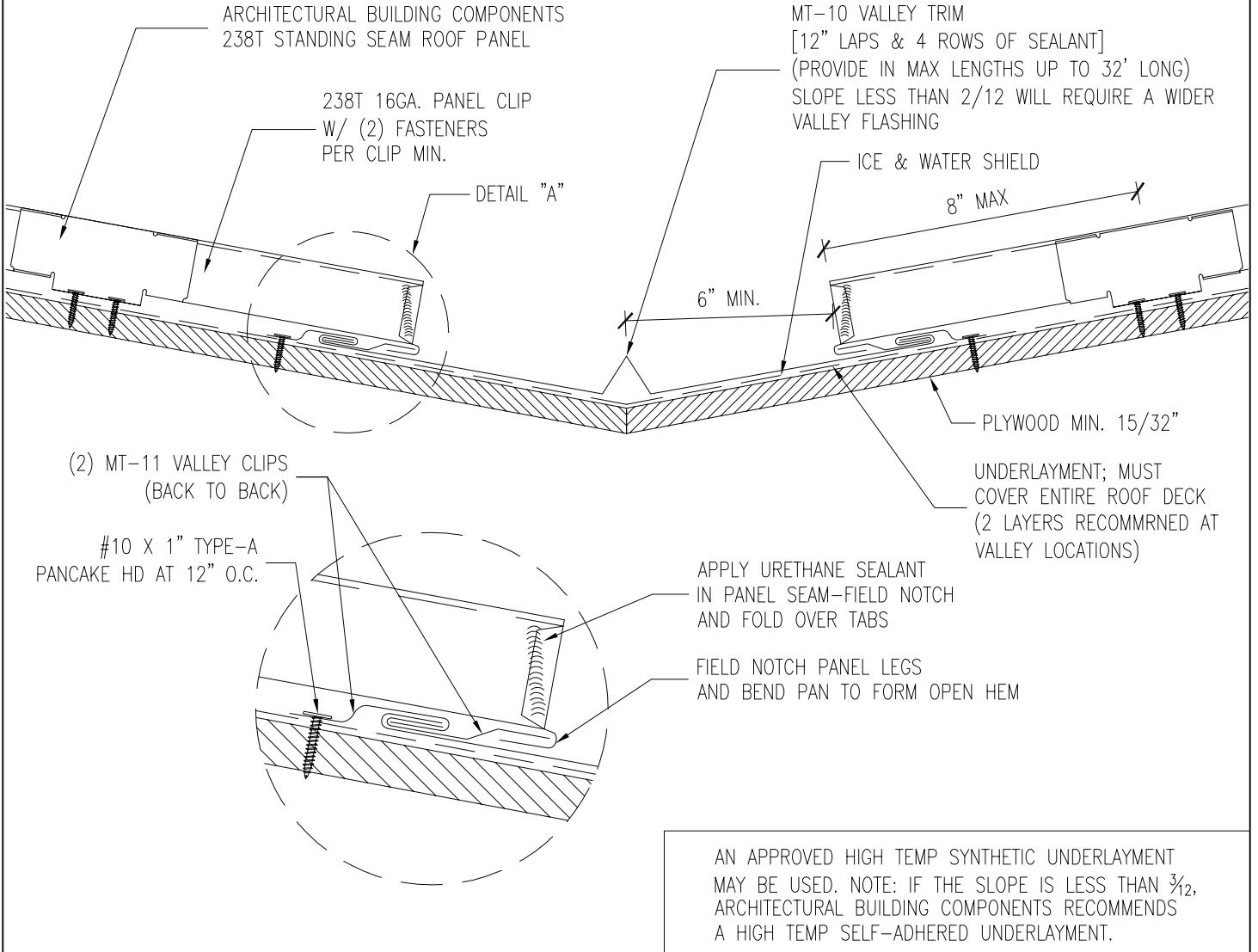
(800) 423-1105

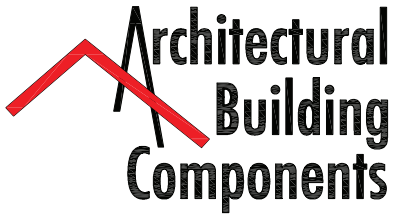
PANEL: 238T STANDING SEAM PANEL

DATE:
03/02/11

DETAIL:
VALLEY-OVER PLYWOOD DECK

DET.#
V-238-01-PLY





www.archmetalroof.com

(800) 423-1105

PANEL:

238T STANDING SEAM PANEL

DATE:

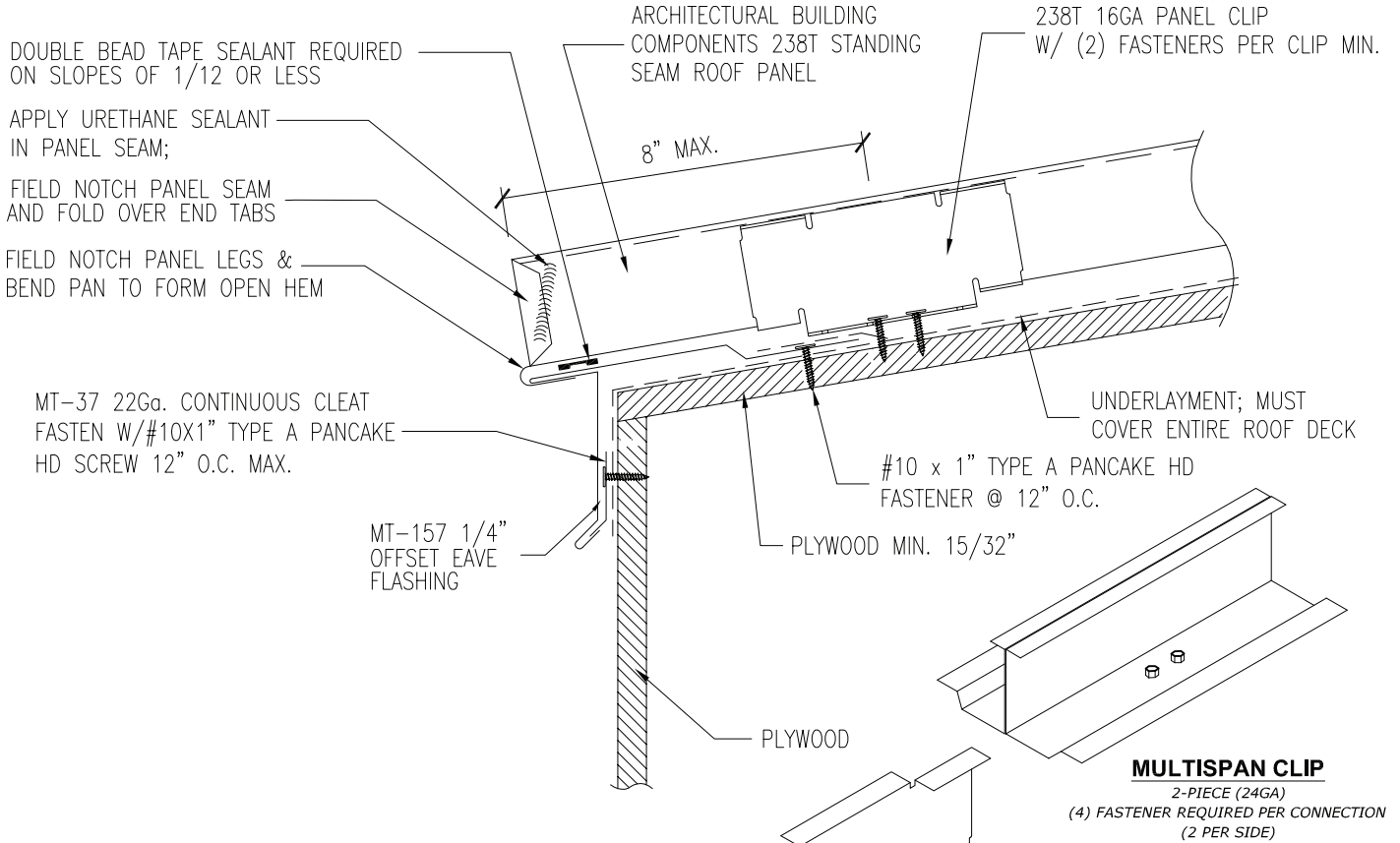
03/02/11

DETAIL:

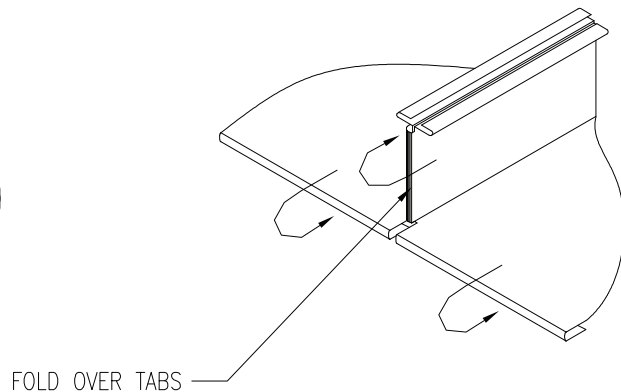
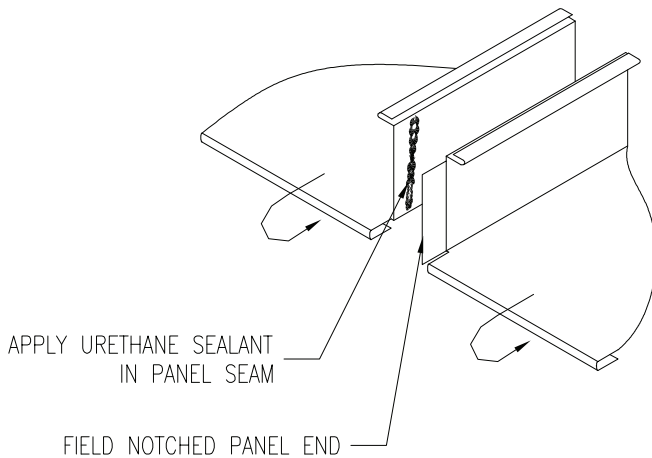
EAVE-OVER PLYWOOD DECK

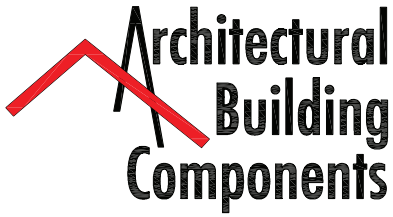
DET.#

E-238-02-PLY



AN APPROVED HIGH TEMP SYNTHETIC UNDERLAYMENT MAY BE USED. NOTE: IF THE SLOPE IS LESS THAN $\frac{3}{12}$, ARCHITECTURAL BUILDING COMPONENTS RECOMMENDS A HIGH TEMP SELF-ADHERED UNDERLAYMENT.





www.archmetalroof.com

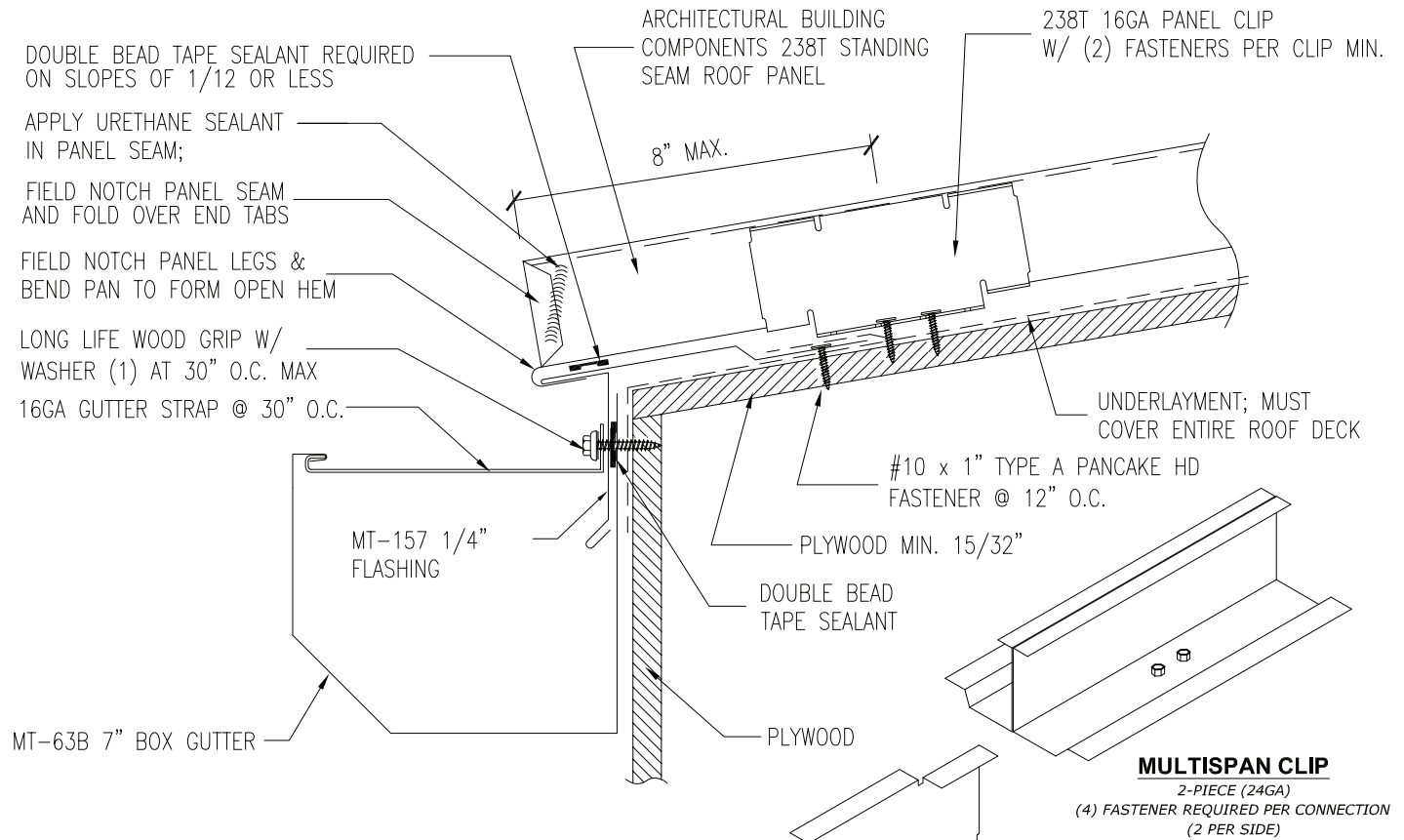
(800) 423-1105

PANEL:
238T STANDING SEAM PANEL

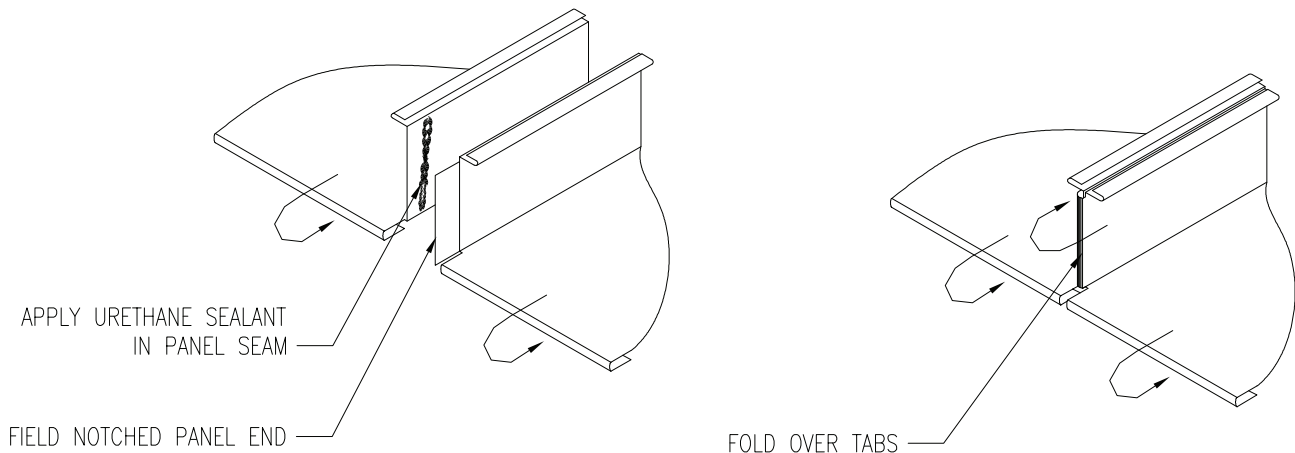
DATE:
03/02/11

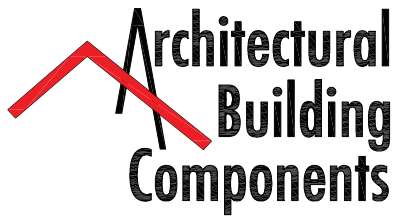
DETAIL:
EAVE-OVER PLYWOOD DECK W/GUTTER

DET.#
EG-238-01-PLY



AN APPROVED HIGH TEMP SYNTHETIC UNDERLAYMENT MAY BE USED. NOTE: IF THE SLOPE IS LESS THAN $\frac{3}{12}$, ARCHITECTURAL BUILDING COMPONENTS RECOMMENDS A HIGH TEMP SELF-ADHERED UNDERLAYMENT.





www.archmetalroof.com

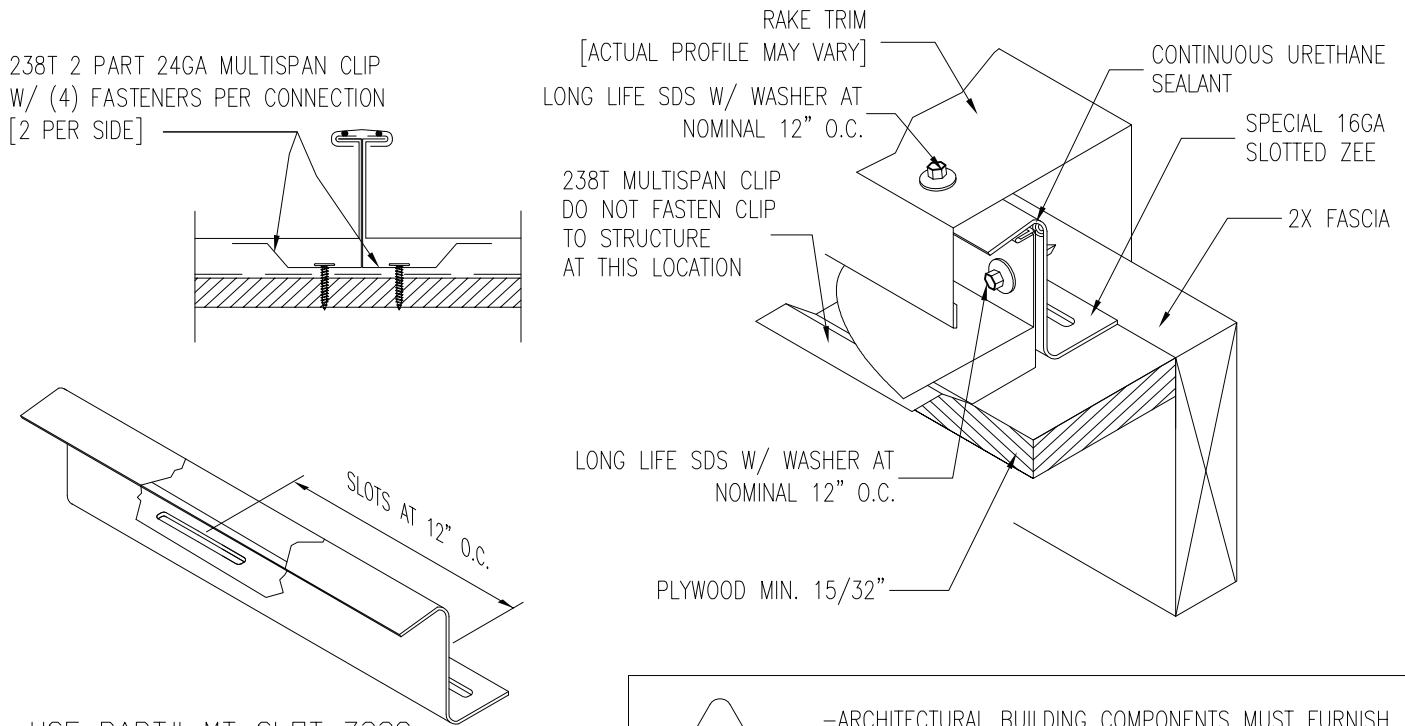
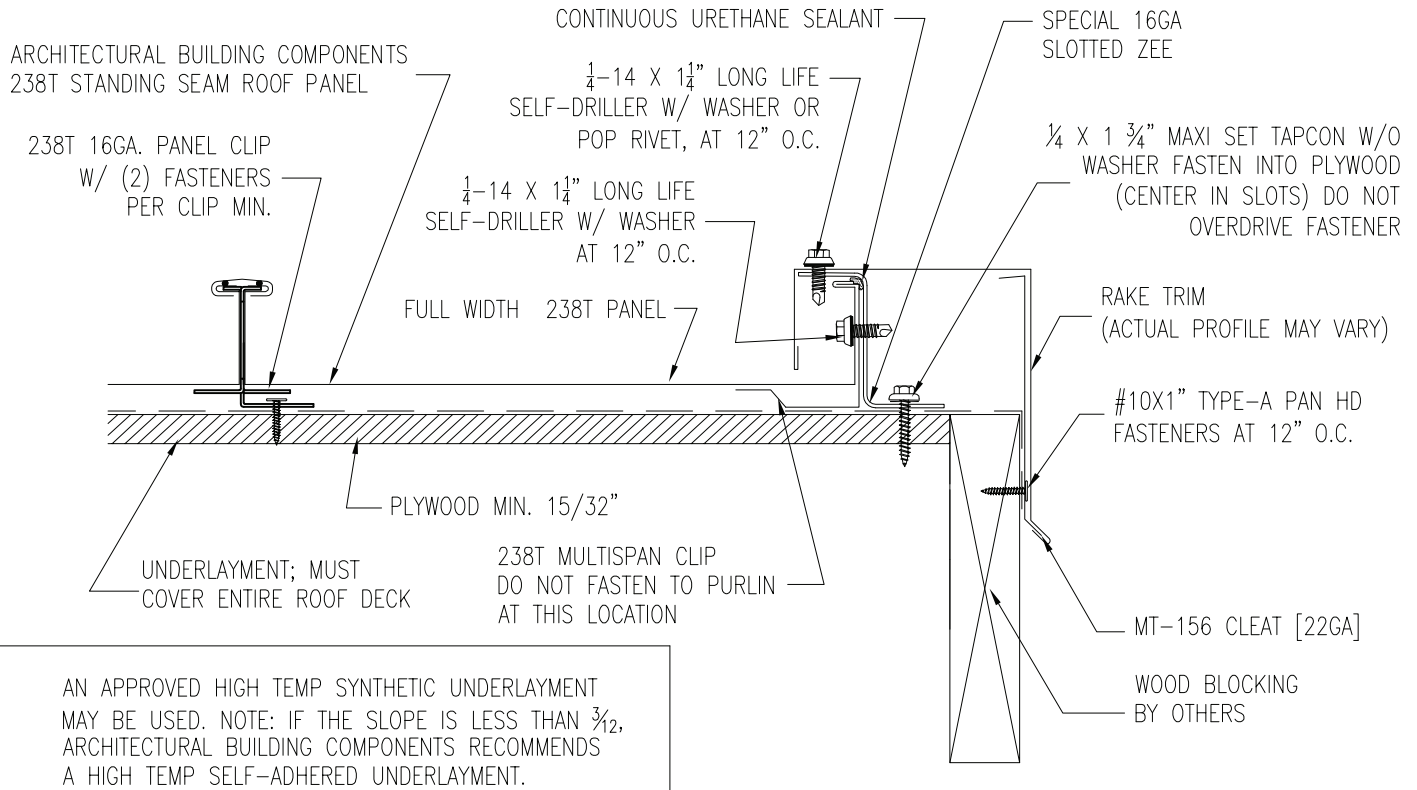
(800) 423-1105

PANEL: []
238T STANDING SEAM PANEL

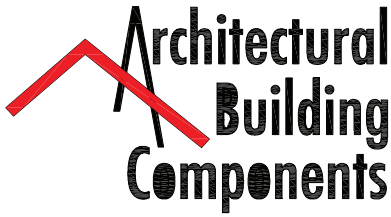
DATE:
03/02/11

DETAIL:
RAKE-OVER PLYWOOD DECK

DET.#
R-238-01-PLY



-ARCHITECTURAL BUILDING COMPONENTS MUST FURNISH
SLOTTED RAKE ZEE ON ALL PROJECTS INVOLVING A
WEATHER-TIGHTNESS WARRANTY



www.archmetalroof.com

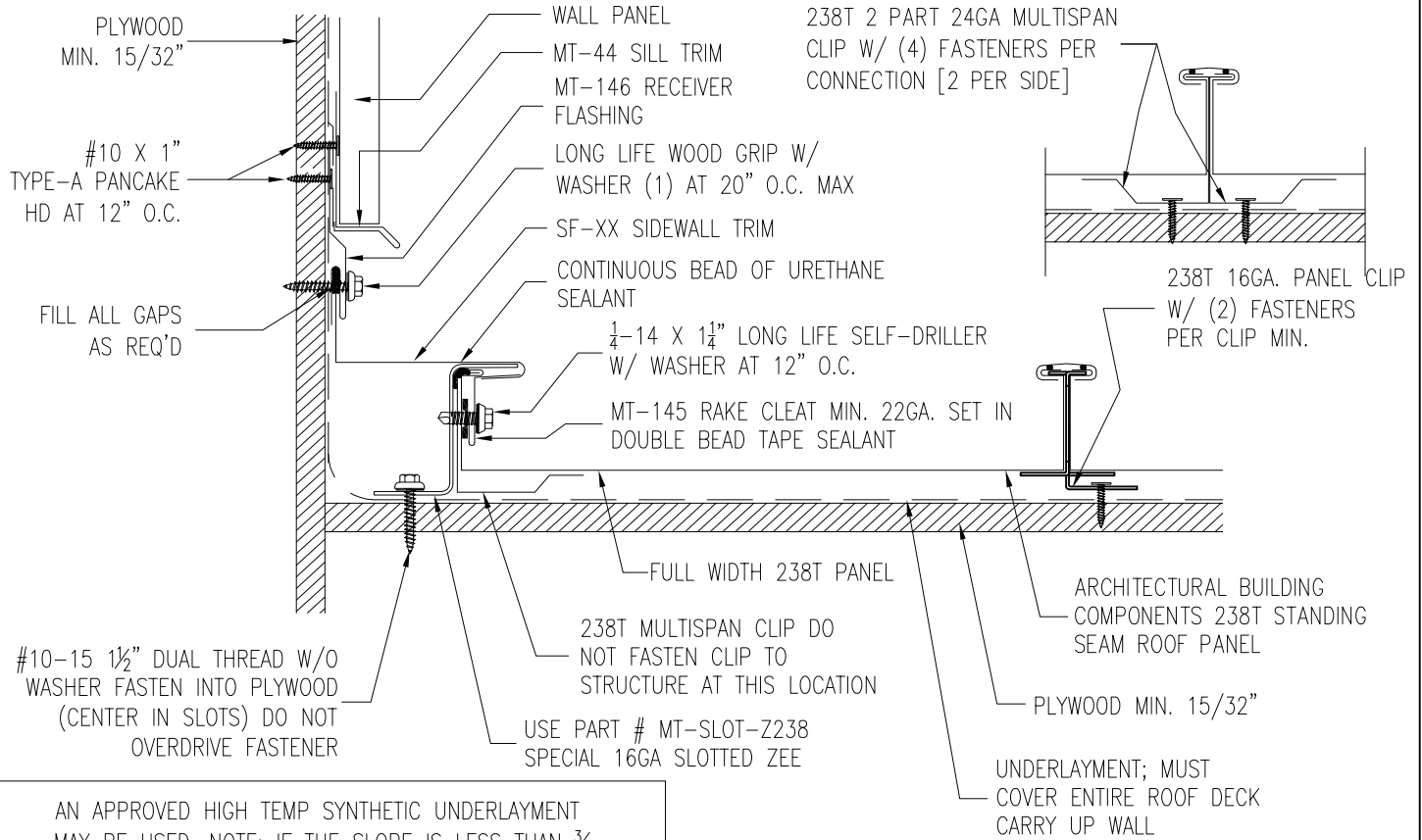
(800) 423-1105

PANEL: []
238T STANDING SEAM PANEL

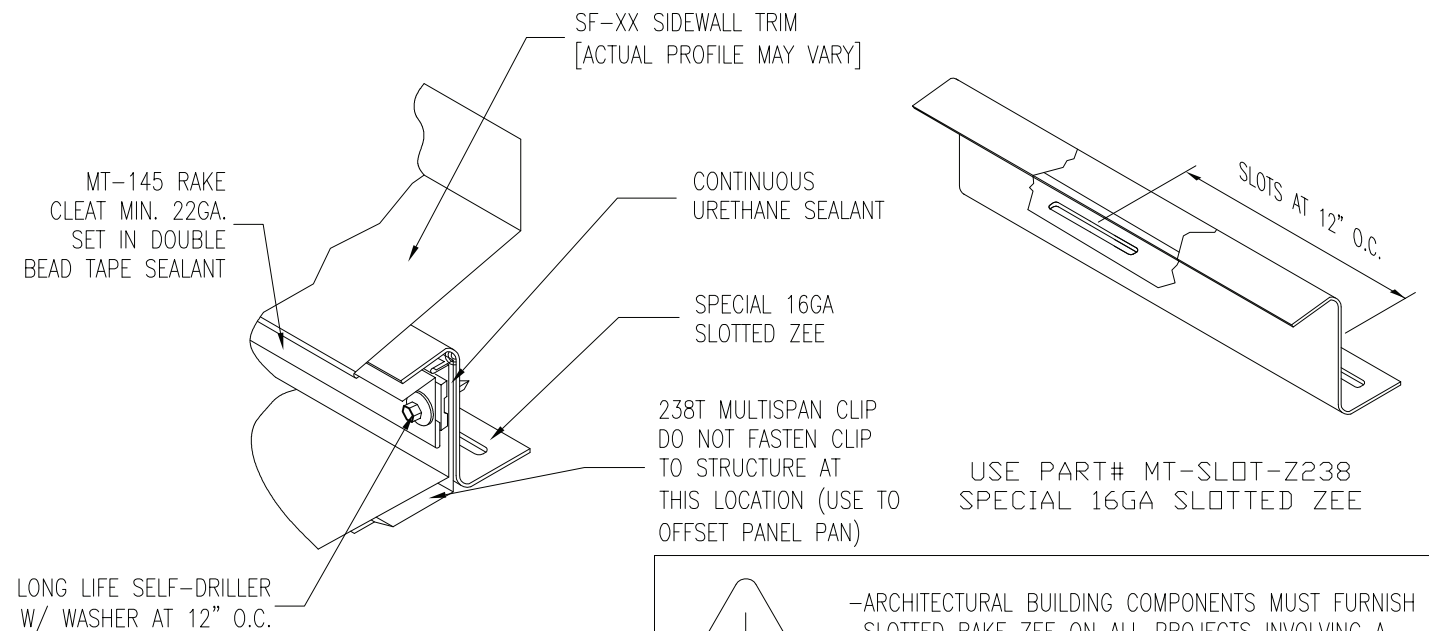
DATE:
03/02/11

DETAIL:
RAKE WALL-OVER PLYWOOD DECK

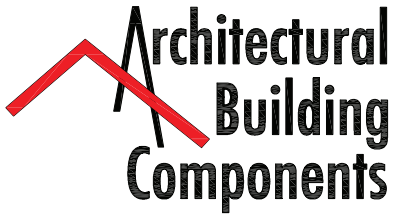
DET.#
RW-238-01-PLY



AN APPROVED HIGH TEMP SYNTHETIC UNDERLAYMENT MAY BE USED. NOTE: IF THE SLOPE IS LESS THAN 3/12, ARCHITECTURAL BUILDING COMPONENTS RECOMMENDS A HIGH TEMP SELF-ADHERED UNDERLAYMENT.



-ARCHITECTURAL BUILDING COMPONENTS MUST FURNISH SLOTTED RAKE ZEE ON ALL PROJECTS INVOLVING A WEATHER-TIGHTNESS WARRANTY



www.archmetalroof.com

(800) 423-1105

PANEL:
238T STANDING SEAM PANEL

DATE:
03/02/11

DETAIL:
SHED RIDGE-OVER PLYWOOD DECK

DET.#
SR-238-01-PLY

FIX PANEL TO CLIP
W/ MIN. 2EA
FASTENERS PER TAB

SHED RIDGE CAP; FASTEN TO
OFFSET CLEAT
WITH POP RIVET OR LAPTEK
SCREW AT 12" O.C.

TURN PANEL UP ON SLOPES
LESS THAN 3:12

238T 2 PART 24GA. MULTISPAN
CLIP W/4 FASTENERS PER
CONNECTION (2 PER SIDE)

MT-37 22Ga. CONTINUOUS CLEAT
FASTEN W/#10X1" TYPE A PANCAKE
HD SCREW 12" O.C. MAX.

DOUBLE BEAD TAPE SEALANT BETWEEN
METAL CLOSURE AND OFFSET CLEAT

7/8" LONG LIFE LAPTEK
W/O WASHER 6" O.C. MAX

MT-38 STD. 1/4" OFFSET CLEAT [22GA.]

POP RIVET OR LONG LIFE
LAPTEK SCREW AT 12" O.C.

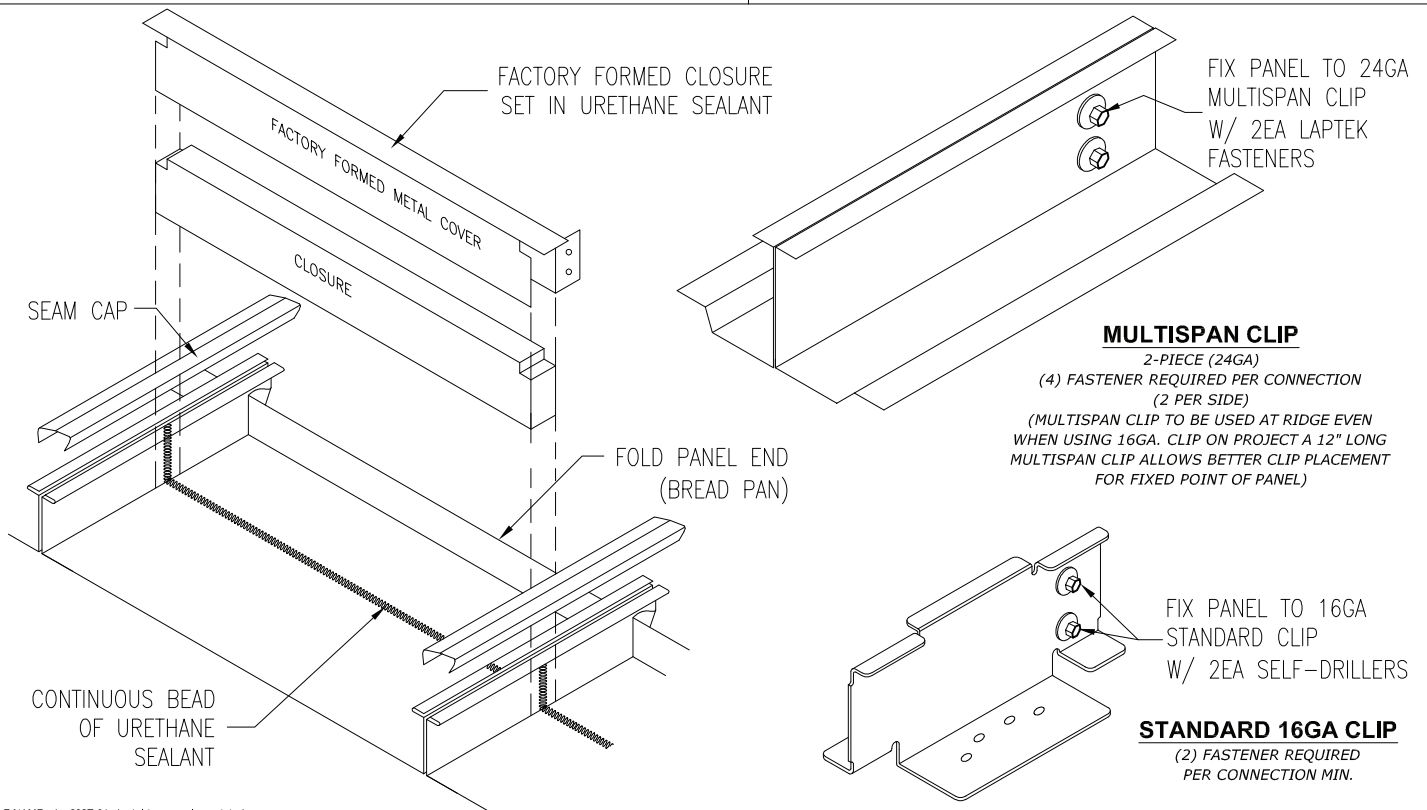
FACTORY FORMED METAL
CLOSURE-W/ NEOPRENE
INSERT SET IN URETHANE
SEALANT

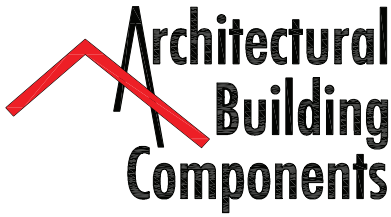
UNDERLAYMENT; MUST
COVER ENTIRE ROOF DECK

ARCHITECTURAL
BUILDING COMPONENTS
238T STANDING SEAM
ROOF PANEL

PLYWOOD MIN. 15/32"

AN APPROVED HIGH TEMP SYNTHETIC UNDERLAYMENT
MAY BE USED. NOTE: IF THE SLOPE IS LESS THAN 3/12,
ARCHITECTURAL BUILDING COMPONENTS RECOMMENDS
A HIGH TEMP SELF-ADHERED UNDERLAYMENT.





www.archmetalroof.com

(800) 423-1105

PANEL: []
238T STANDING SEAM PANEL

DATE:
03/02/11

DETAIL:
VENTED HEAD WALL-OVER PLYWOOD DECK

DET.#
VHW-238-01-PLY

DOUBLE BEAD TAPE SEALANT BETWEEN METAL CLOSURE AND PERFORATED J-CHANNEL

LONG LIFE LAPTEK AT 6" O.C.

MT-133 PERFORATED J- CHANNEL

POP RIVET OR LONG LIFE LAPTEK SCREW AT 12" O.C.

238T 2 PART 24GA MULTISPAN CLIP W/ (4) FASTENERS PER CONNECTION [2 PER SIDE]

3/8"

PLYWOOD MIN. 15/32"

UNDERLAYMENT; MUST COVER ENTIRE ROOF DECK

FRAMING MEMBER

TYP SAW CUT

DB TAPE SEALANT

MASONRY ANCHOR AT 12" O.C.

MT-58 REGLET TRIM

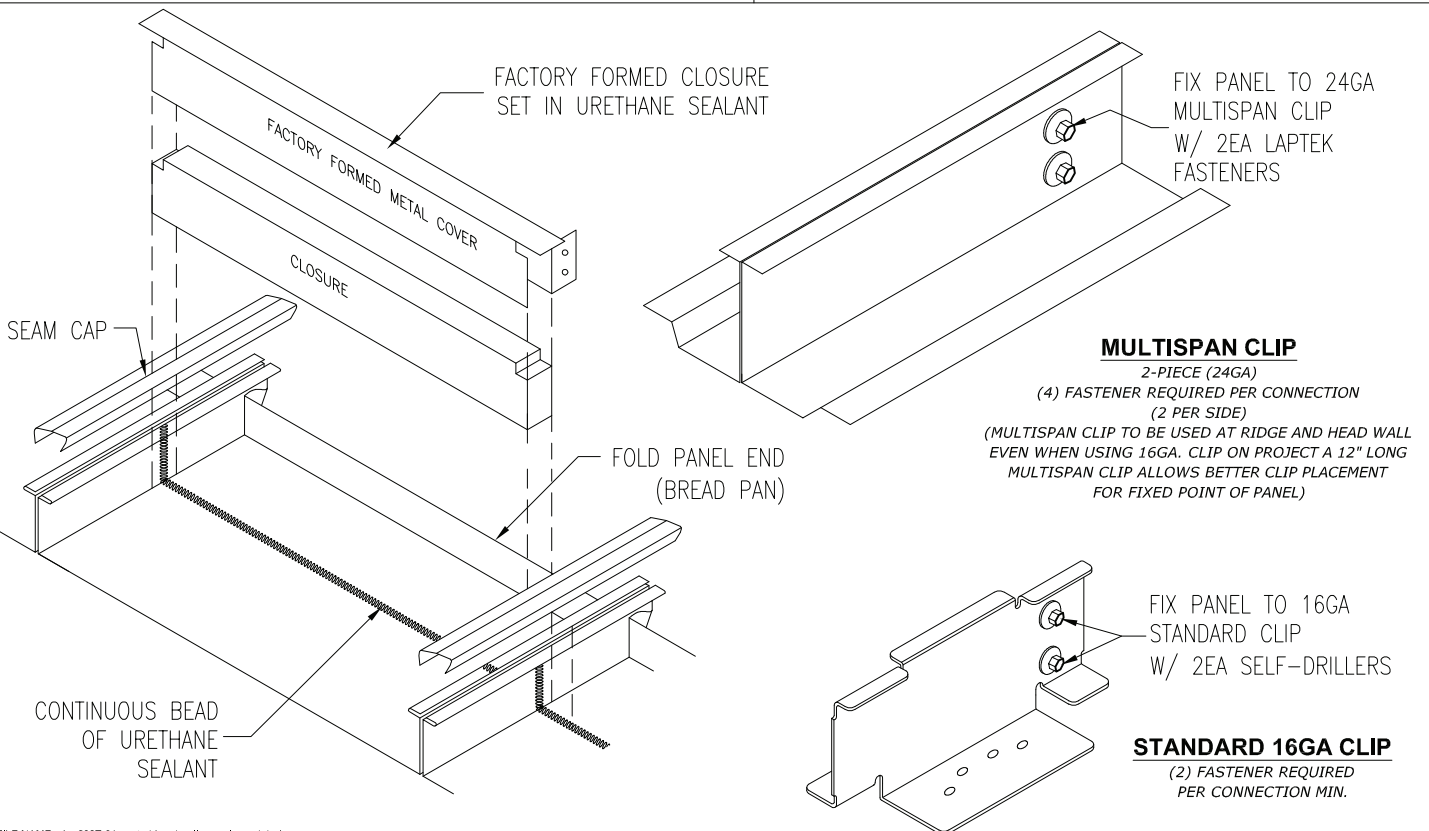
MT-154 VENTED HEAD WALL FLASHING

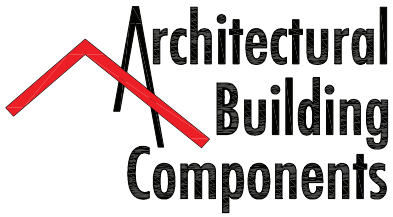
ARCHITECTURAL BUILDING COMPONENTS 238T STANDING SEAM ROOF PANEL

TURN PANEL UP ON SLOPES LESS THAN 3:12

FACTORY FORMED METAL CLOSURE-W/ NEOPRENE INSERT SET IN URETHANE SEALANT. FIX PANEL TO CLIP W/MIN. 2EA FASTENERS PER TAB

AN APPROVED HIGH TEMP SYNTHETIC UNDERLAYMENT MAY BE USED. NOTE: IF THE SLOPE IS LESS THAN 3/12, ARCHITECTURAL BUILDING COMPONENTS RECOMMENDS A HIGH TEMP SELF-ADHERED UNDERLAYMENT.





www.archmetalroof.com

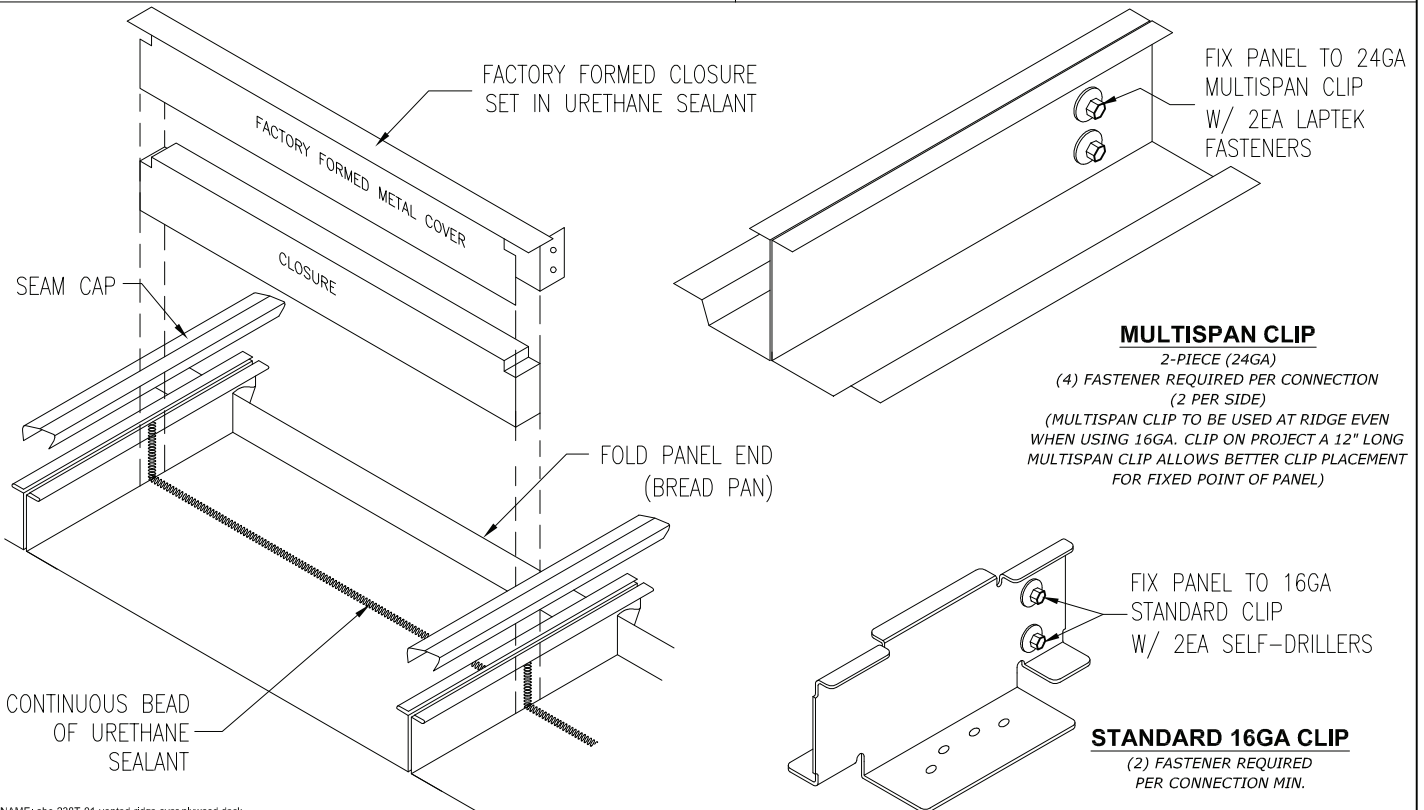
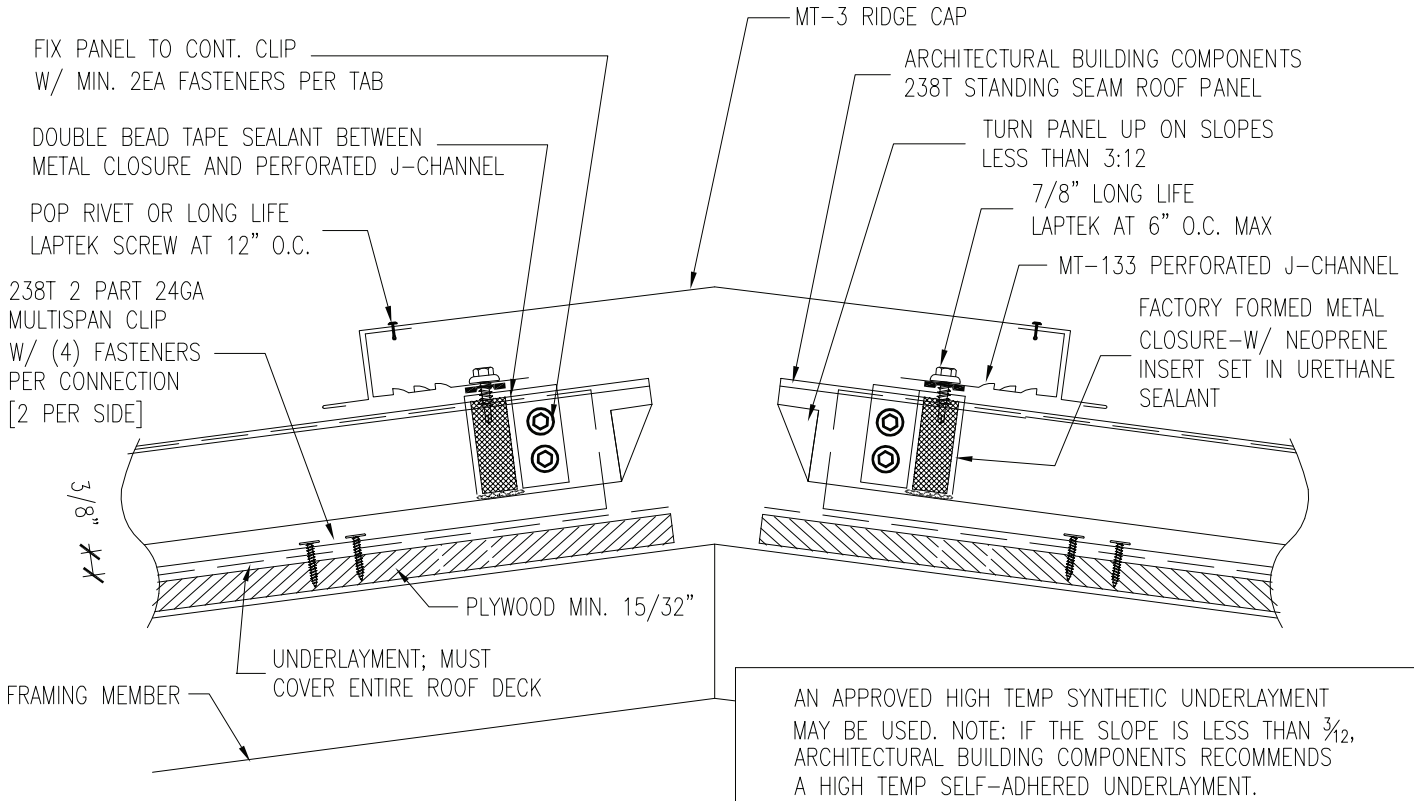
(800) 423-1105

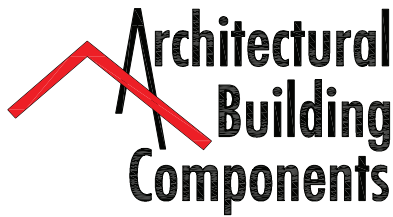
PANEL: []
238T STANDING SEAM PANEL

DATE:
03/02/11

DETAIL:
VENTED RIDGE-OVER PLYWOOD DECK

DET.#
VR-238-01-PLY





www.archmetalroof.com

(800) 423-1105

PANEL:

238T STANDING SEAM PANEL

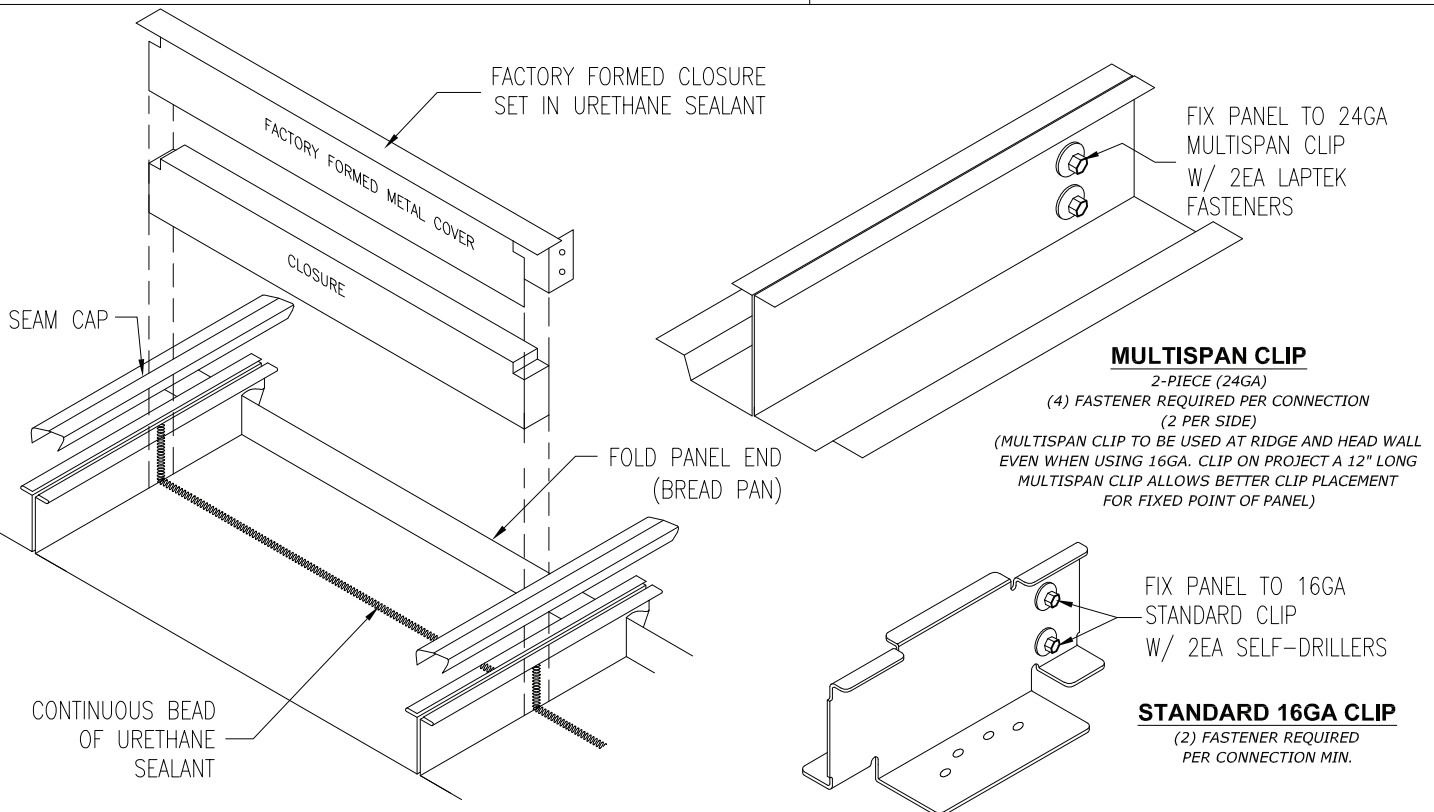
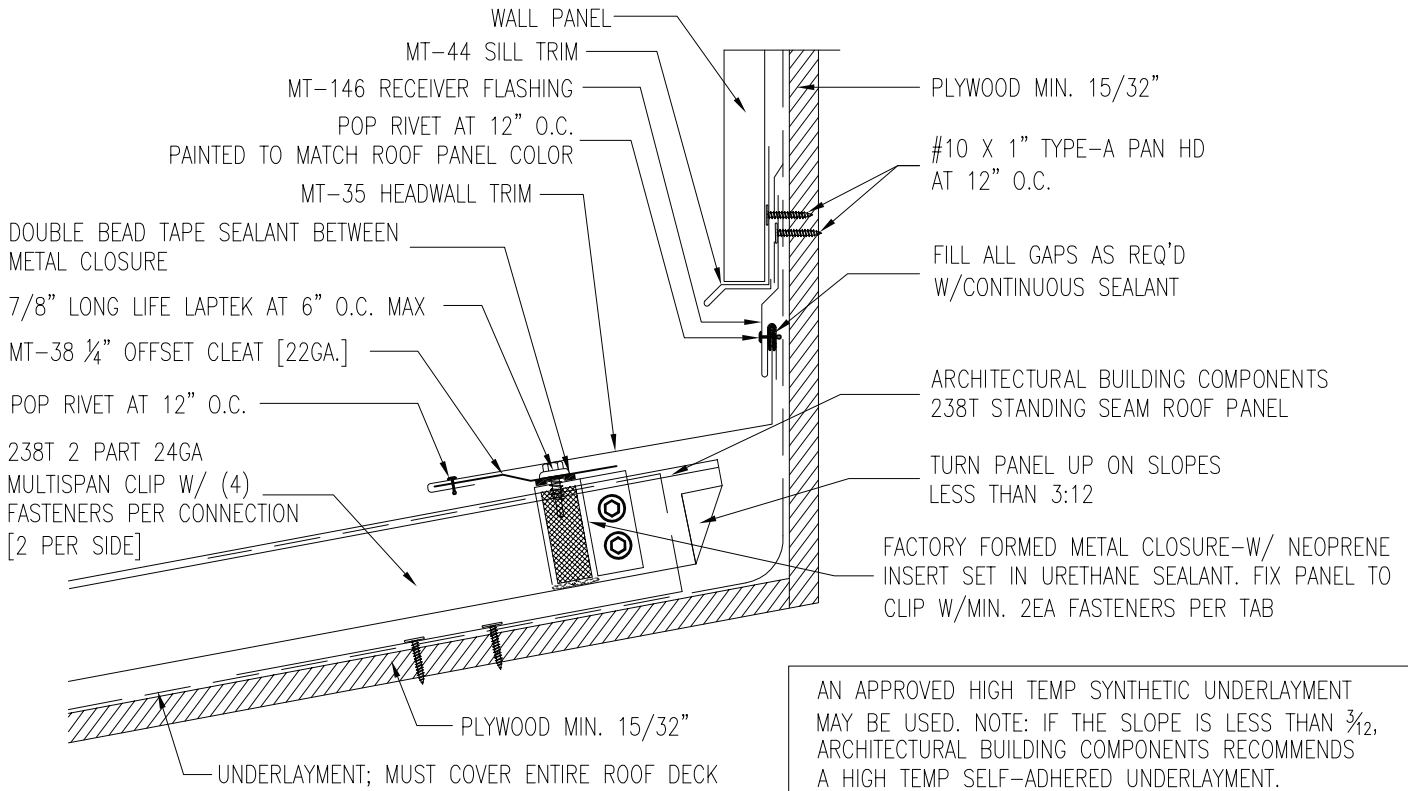
DATE:

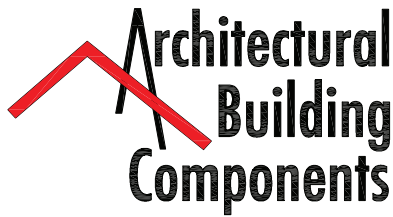
03/02/11

DETAIL: HEAD WALL W/RECEIVER - OVER PLYWOOD DECK

DET.#

HW/REC-238-02-PLY





www.archmetalroof.com

(800) 423-1105

PANEL:
238T STANDING SEAM PANEL

DATE:
03/02/11

DETAIL:
RAKE-OVER PLYWOOD DECK

DET.#
R-238-02-PLY

ARCHITECTURAL BUILDING COMPONENTS
238T STANDING SEAM ROOF PANEL

238T 16GA. PANEL CLIP
W/ (2) FASTENERS
PER CLIP MIN.

CONTINUOUS URETHANE SEALANT

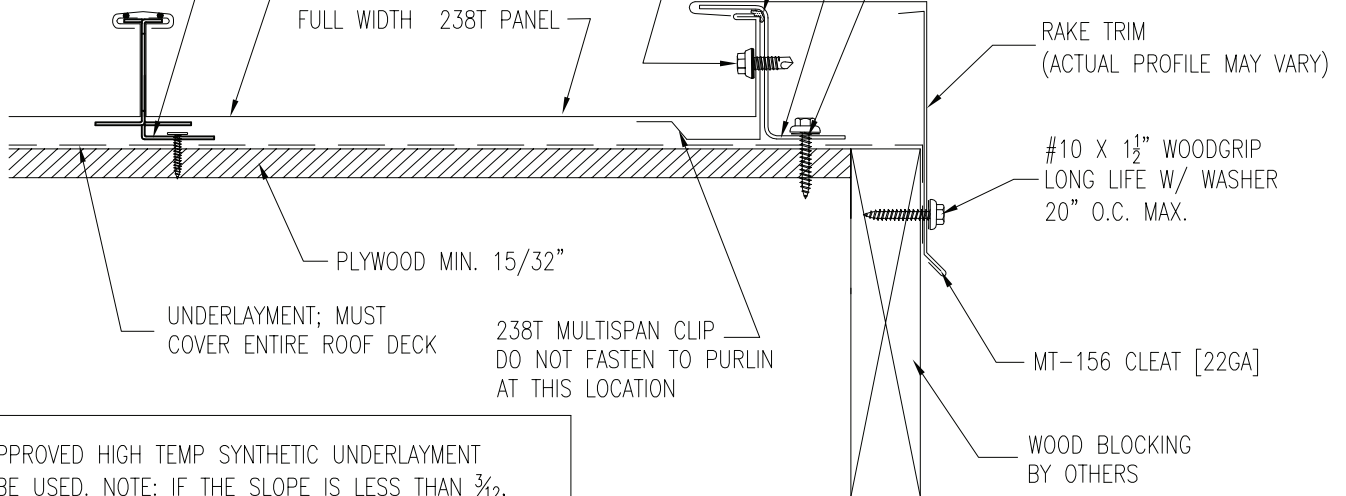
SPECIAL 16GA
SLOTTED ZEE

1/4-14 X 1 1/4" LONG LIFE
SELF-DRILLER W/ WASHER
AT 12" O.C.

#10-15 1/2" DUAL THREAD W/O
WASHER FASTEN INTO PLYWOOD
(CENTER IN SLOTS) DO NOT
OVERDRIVE FASTENER

FULL WIDTH 238T PANEL

RAKE TRIM
(ACTUAL PROFILE MAY VARY)



UNDERLAYMENT; MUST
COVER ENTIRE ROOF DECK

PLYWOOD MIN. 15/32"

238T MULTISPAN CLIP
DO NOT FASTEN TO PURLIN
AT THIS LOCATION

#10 X 1 1/2" WOODGRIP
LONG LIFE W/ WASHER
20" O.C. MAX.

MT-156 CLEAT [22GA]

WOOD BLOCKING
BY OTHERS

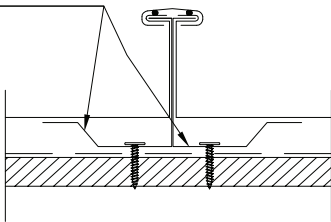
AN APPROVED HIGH TEMP SYNTHETIC UNDERLAYMENT
MAY BE USED. NOTE: IF THE SLOPE IS LESS THAN 3/12,
ARCHITECTURAL BUILDING COMPONENTS RECOMMENDS
A HIGH TEMP SELF-ADHERED UNDERLAYMENT.

238T 2 PART 24GA MULTISPAN CLIP
W/ (4) FASTENERS PER CONNECTION
[2 PER SIDE]

RAKE TRIM
[ACTUAL PROFILE MAY VARY]

CONTINUOUS URETHANE
SEALANT

SPECIAL 16GA
SLOTTED ZEE

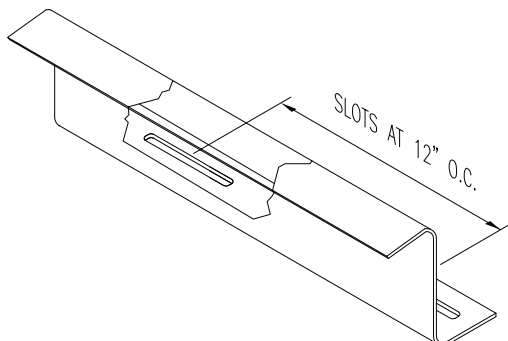
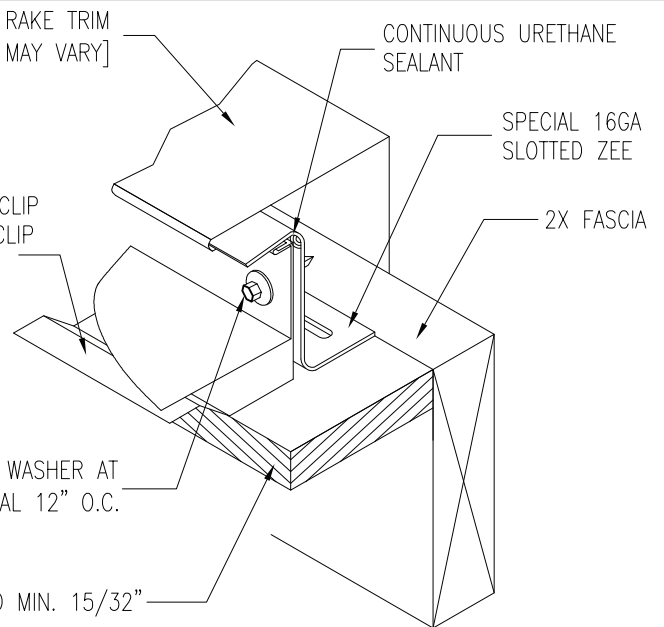


238T MULTISPAN CLIP
DO NOT FASTEN CLIP
TO STRUCTURE
AT THIS LOCATION

2X FASCIA

LONG LIFE SDS W/ WASHER AT
NOMINAL 12" O.C.

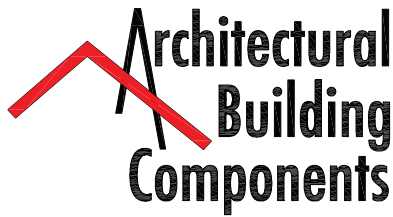
PLYWOOD MIN. 15/32"



USE PART# MT-SLOT-Z238
SPECIAL 16GA SLOTTED ZEE



-ARCHITECTURAL BUILDING COMPONENTS MUST FURNISH
SLOTTED RAKE ZEE ON ALL PROJECTS INVOLVING A
WEATHER-TIGHTNESS WARRANTY



www.archmetalroof.com

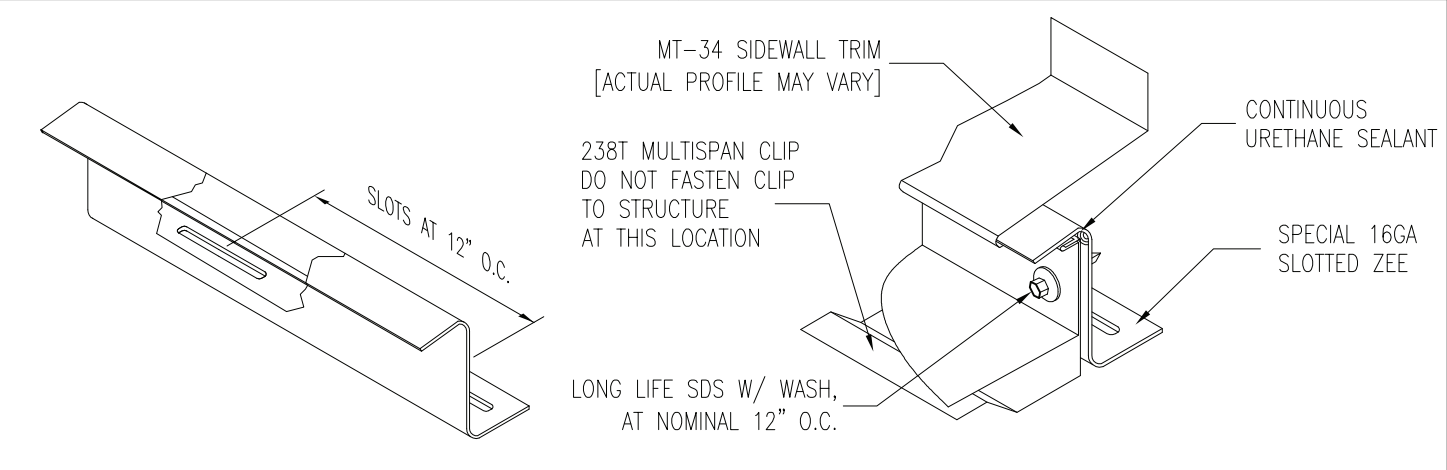
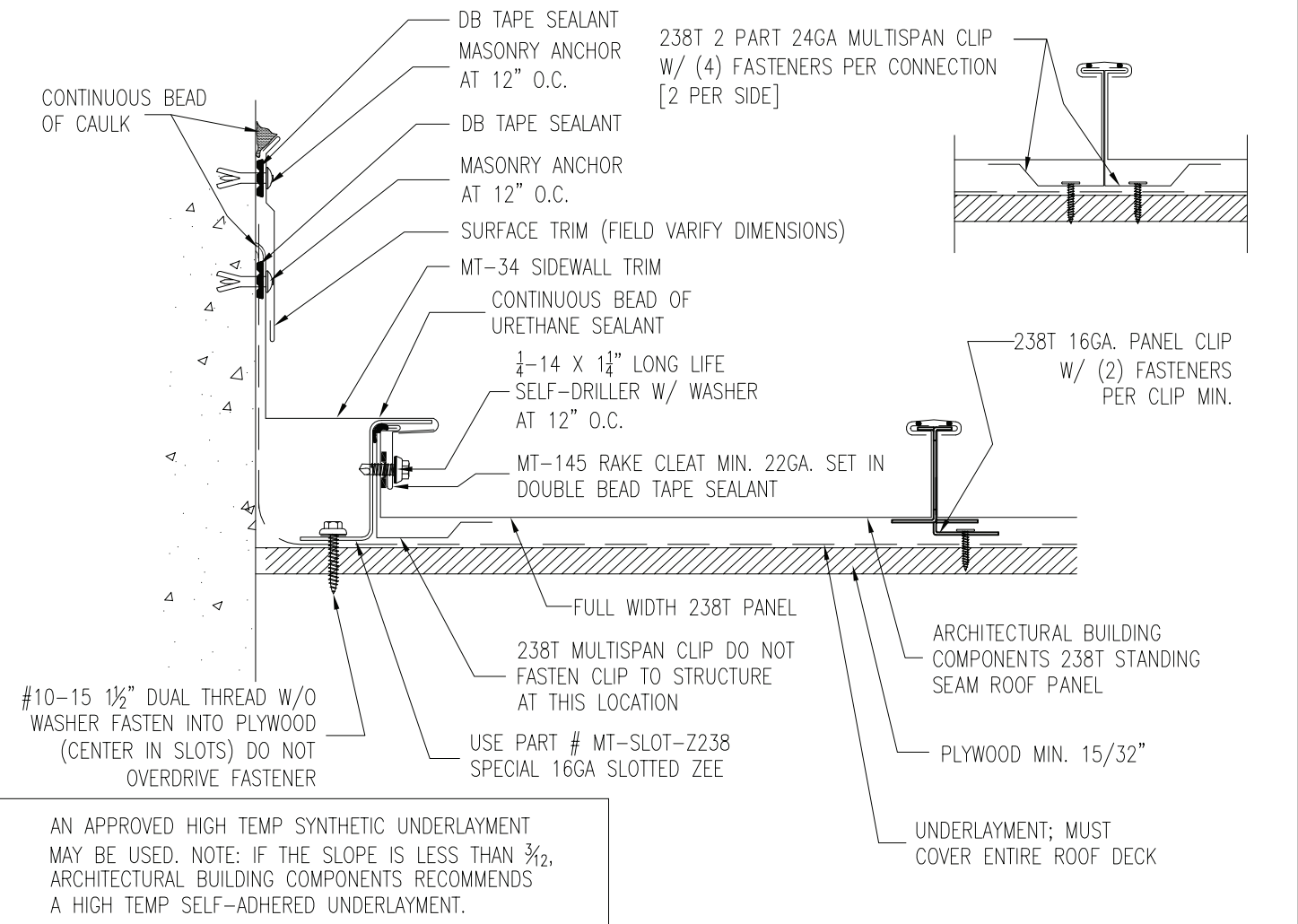
(800) 423-1105

PANEL:
238T STANDING SEAM PANEL

DATE:
03/02/11

DETAIL:
RAKE WALL-OVER PLYWOOD DECK

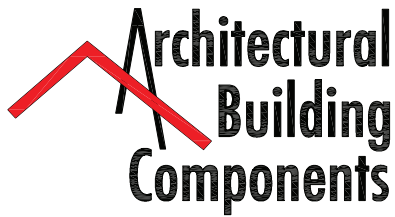
DET.#
RW-238-02-PLY



USE PART# MT-SLOT-Z238
SPECIAL 16GA SLOTTED ZEE



-ARCHITECTURAL BUILDING COMPONENTS MUST FURNISH SLOTTED RAKE ZEE ON ALL PROJECTS INVOLVING A WEATHER-TIGHTNESS WARRANTY



www.archmetalroof.com

(800) 423-1105

PANEL:
238T STANDING SEAM PANEL

DATE:
03/02/11

DETAIL:
RIDGE/HIP-OVER PLYWOOD DECK

DET.#
RH-238-02-PLY

ARCHITECTURAL BUILDING COMPONENTS
238T STANDING SEAM ROOF PANEL

DOUBLE BEAD TAPE SEALANT BETWEEN
METAL CLOSURE AND OFFSET CLEAT

MT-38 STD. 1/4" OFFSET CLEAT [22GA.]

POP RIVET OR LONG LIFE
LAPTEK SCREW AT 12" O.C.

238T 2 PART 24GA.
MULTISPAN CLIP W/(4)
FASTENERS PER
CONNECTION (2 PER SIDE)

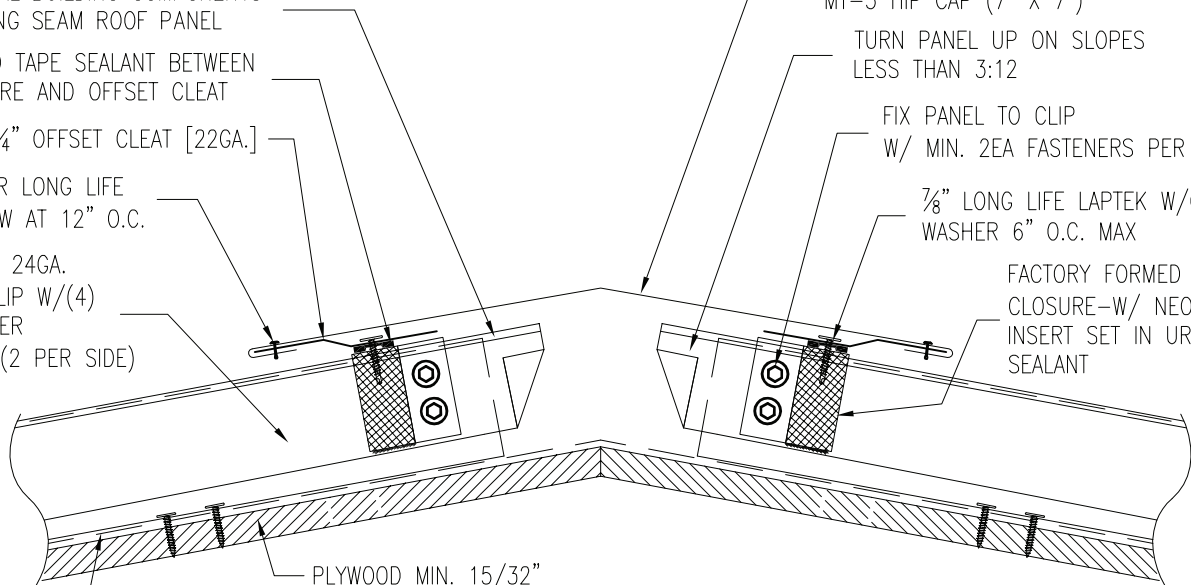
MT-2 RIDGE CAP (7" x 7")
MT-5 HIP CAP (7" x 7")

TURN PANEL UP ON SLOPES
LESS THAN 3:12

FIX PANEL TO CLIP
W/ MIN. 2EA FASTENERS PER TAB

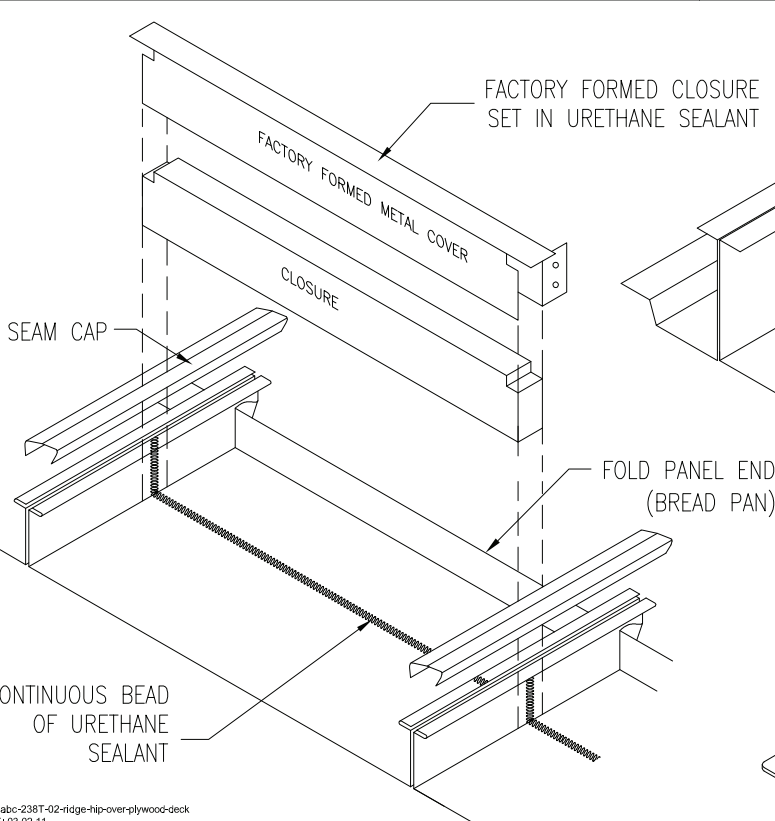
7/8" LONG LIFE LAPTEK W/O
WASHER 6" O.C. MAX

FACTORY FORMED METAL
CLOSURE-W/ NEOPRENE
INSERT SET IN URETHANE
SEALANT



PLYWOOD MIN. 15/32"
UNDERLAYMENT; MUST
COVER ENTIRE ROOF DECK

AN APPROVED HIGH TEMP SYNTHETIC UNDERLAYMENT
MAY BE USED. NOTE: IF THE SLOPE IS LESS THAN 3/12,
ARCHITECTURAL BUILDING COMPONENTS RECOMMENDS
A HIGH TEMP SELF-ADHERED UNDERLAYMENT.



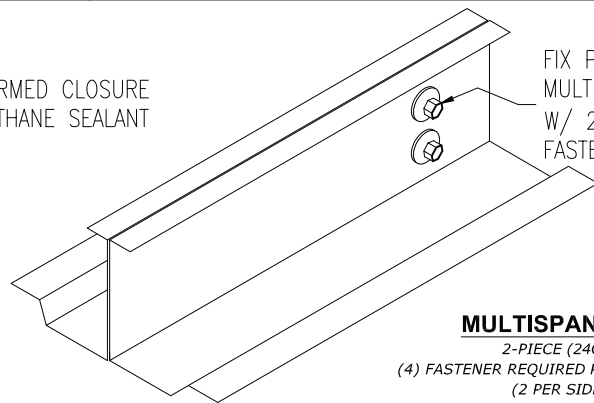
FACTORY FORMED CLOSURE
SET IN URETHANE SEALANT

FACTORY FORMED METAL COVER
CLOSURE

SEAM CAP

FOLD PANEL END
(BREAD PAN)

CONTINUOUS BEAD
OF URETHANE
SEALANT



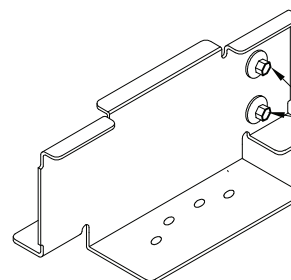
FIX PANEL TO 24GA
MULTISPAN CLIP
W/ 2EA LAPTEK
FASTENERS

MULTISPAN CLIP

2-PIECE (24GA)

(4) FASTENER REQUIRED PER CONNECTION
(2 PER SIDE)

(MULTISPAN CLIP TO BE USED AT RIDGE EVEN
WHEN USING 16GA. CLIP ON PROJECT A 12" LONG
MULTISPAN CLIP ALLOWS BETTER CLIP PLACEMENT
FOR FIXED POINT OF PANEL)



FIX PANEL TO 16GA
STANDARD CLIP
W/ 2EA SELF-DRILLERS

STANDARD 16GA CLIP

(2) FASTENER REQUIRED
PER CONNECTION MIN.