

PANEL:

238T STANDING SEAM PANEL

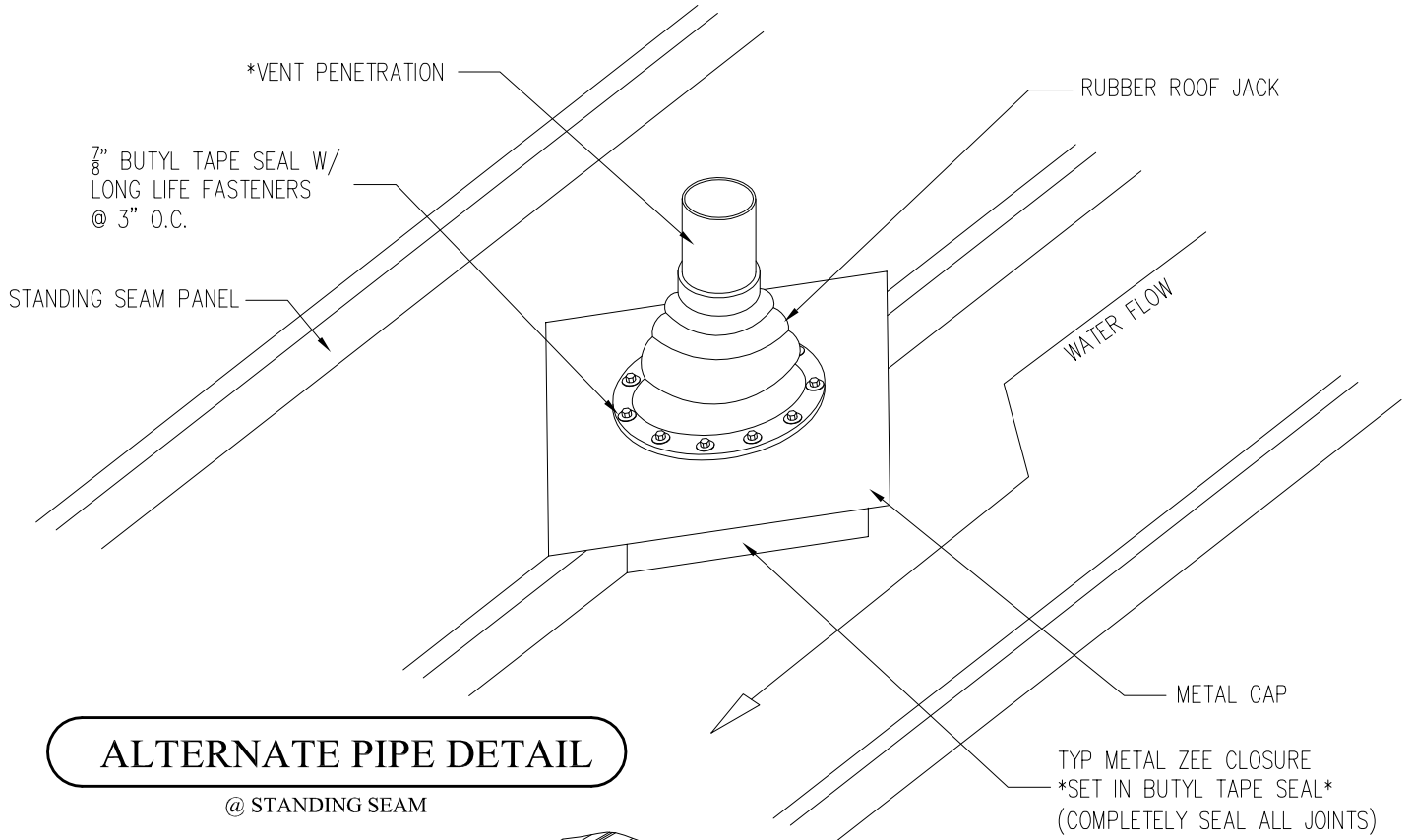
DETAIL: PIPE PENETRATION & ALTERNATE  
PIPE PENETRATION

DATE:

03/02/11

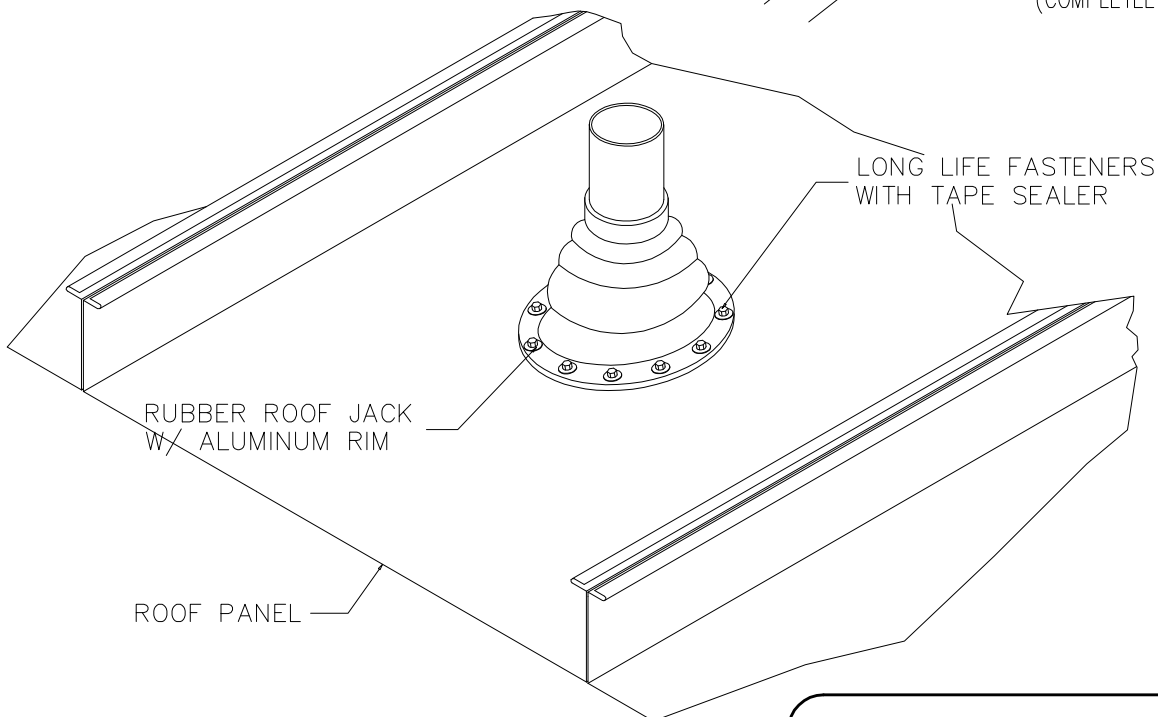
DET.#

PP-238-01



**ALTERNATE PIPE DETAIL**

@ STANDING SEAM



**TYP PIPE PENETRATION**

WITH EPDM RUBBER BOOT